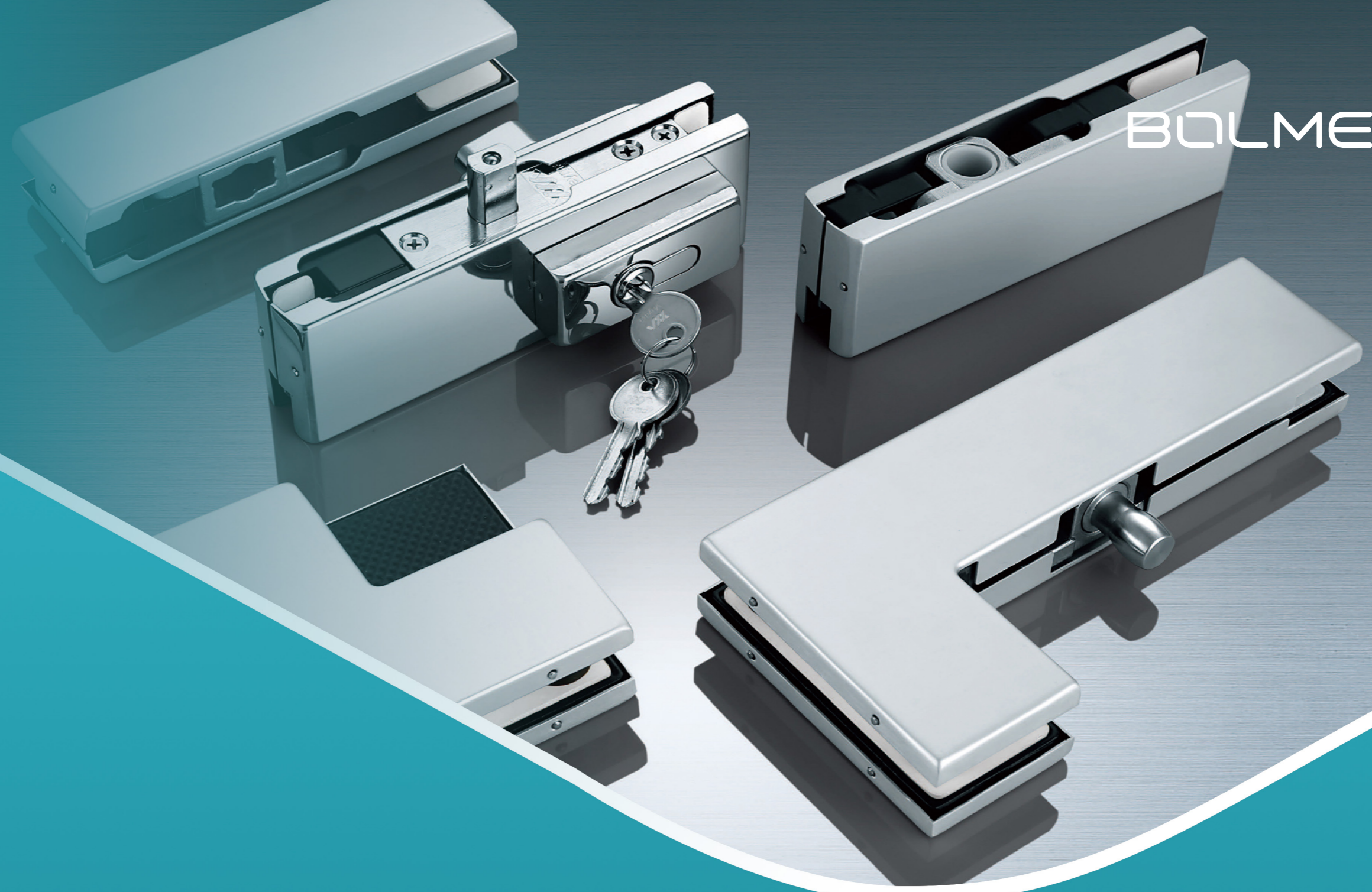


BOLMEN



二维码

WWW.BOMENG.COM

# DOOR CONTROL

SERIES | 

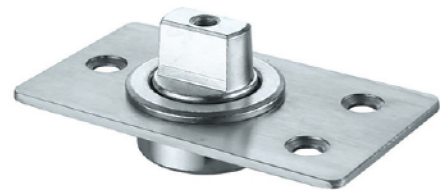
## BM-VM-10

Bottom Patch



**BM-VM-10-INS**  
Bottom Patch Fitting

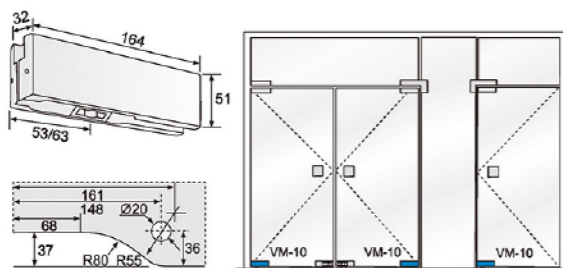
Compatible parts



**BM-VM-FP5**  
Floor Spring



**BM-VM-ADJ-PVT**  
Adjustable Pivot



## BM-VM-20

Top Patch

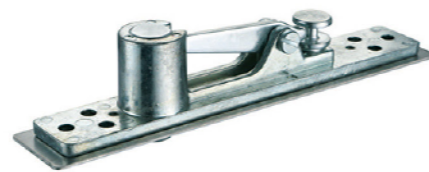


**BM-VM-20-INS**  
Top Patch Fitting

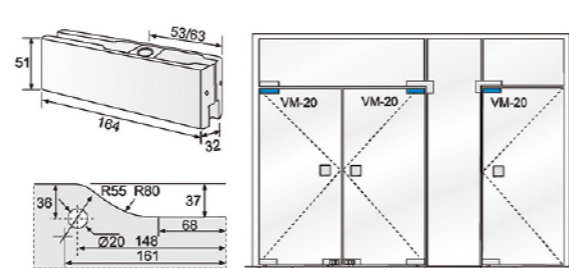
Compatible parts



**BM-VM-SM-PVT**  
Top Pivot

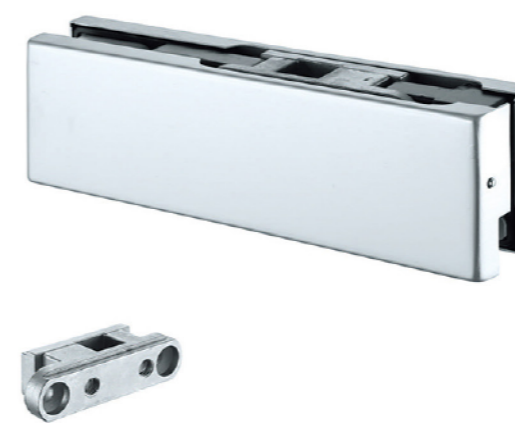


**BM-VM-PVT-WALKBEAM**  
Adjustable Bracket

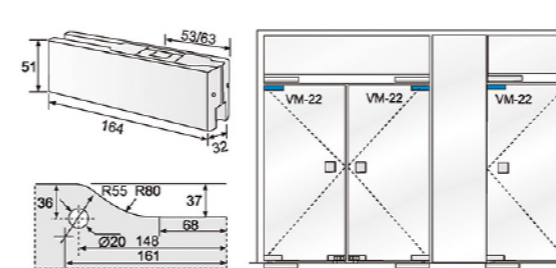


## BM-VM-22

Top Patch



**BM-VM-22-INS**  
Top Patch Fitting



## BM-VM-30

Overpanel Patch



**BM-VM-30/34/40/41/51-PVTINS**  
Overpanel Patch Fitting

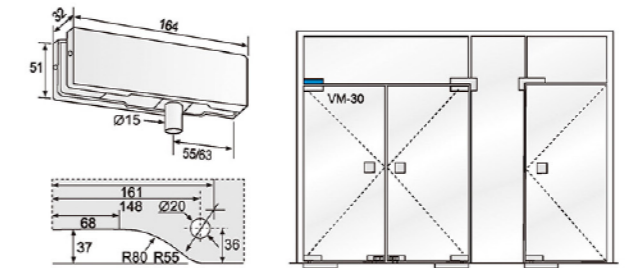
Optional Inserts



**BM-VM-30/34/40/41-STOPINS**  
Clamp with Limit Plate



**BM-VM-30/34/40/41-BLANKINS**  
Plain Clamp



## BM-VM-34

Transom Patch with Wall Bracket



BM-VM-30/34/40/41/51-PVTINS  
Overpanel Patch Fitting

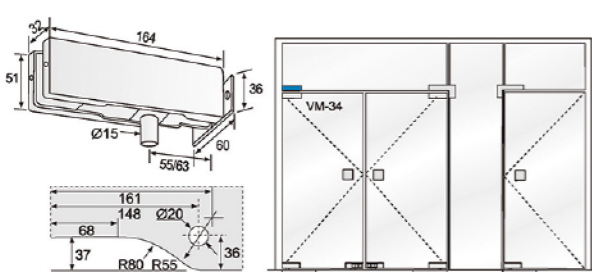
Optional Inserts



BM-VM-30/34/40/41-STOPINS  
Clamp with Limit Plate



BM-VM-30/34/40/41-BLANKINS  
Plain Clamp



## BM-VM-40

Sidelite Transom Patch

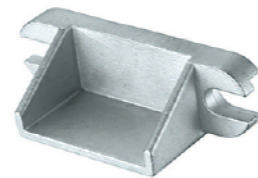


BM-VM-30/34/40/41/51-PVTINS  
Overpanel Patch Fitting

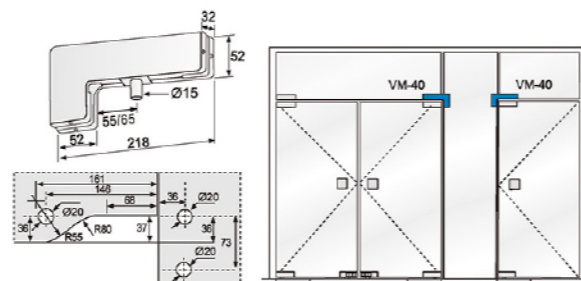
Optional Inserts



BM-VM-30/34/40/41-STOPINS  
Clamp with Limit Plate



BM-VM-30/34/40/41-BLANKINS  
Plain Clamp



## BM-VM-41RH/LH

Sidelite Transom Fin Patch



BM-VM-30/34/40/41/51-PVTINS  
Overpanel Patch Fitting

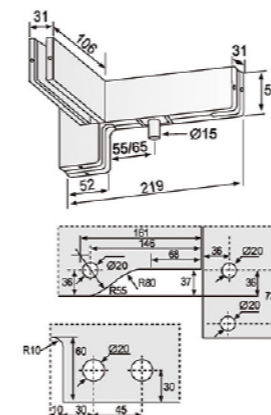
Optional Inserts



BM-VM-30/34/40/41-STOPINS  
Clamp with Limit Plate

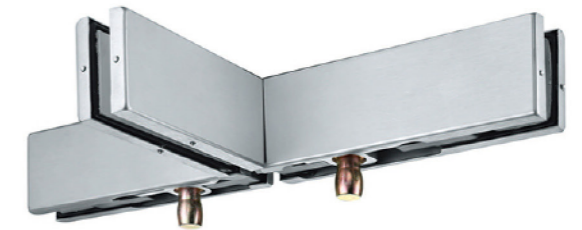


BM-VM-30/34/40/41-BLANKINS  
Plain Clamp



## BM-VM-51

Double Transoms Fin Patch

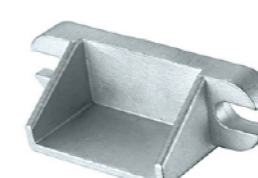


BM-VM-30/34/40/41/51-PVTINS  
Overpanel Patch Fitting

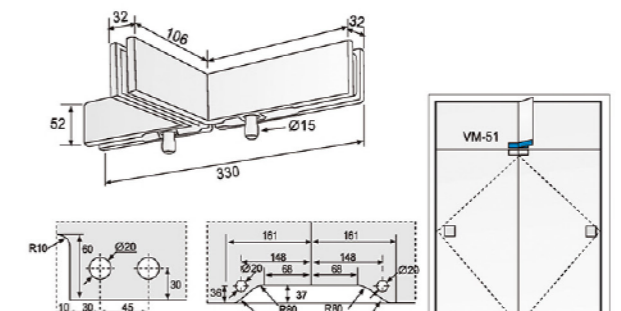
Optional Inserts



BM-VM-30/34/40/41-STOPINS  
Clamp with Limit Plate



BM-VM-30/34/40/41-BLANKINS  
Plain Clamp



## BM-VM-60

Sidelite Transom Patch

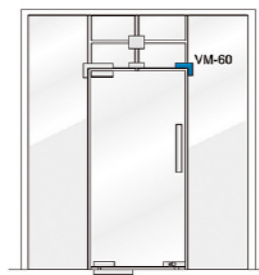
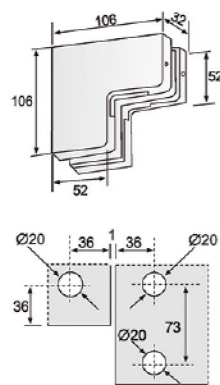


BM-VM-60/61/62/70-BLANKTAB  
Decorative Plate

Compatible parts



BM-VM-60/61/70-STOPTAB  
Limit Plate



## BM-VM-61RH/LH

Sidelite Transom Fin Patch

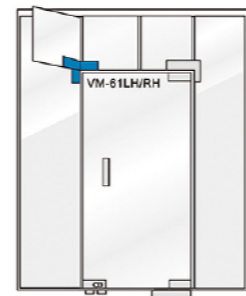
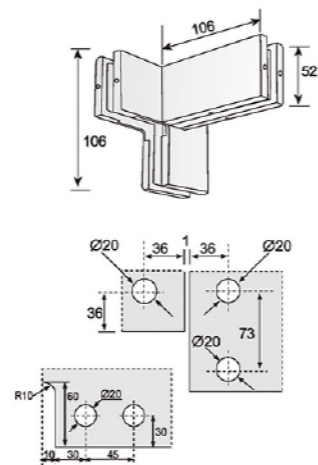


BM-VM-60/61/62/70-BLANKTAB  
Decorative Plate

Compatible parts



BM-VM-60/61/70-STOPTAB  
Limit Plate

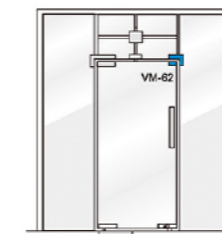
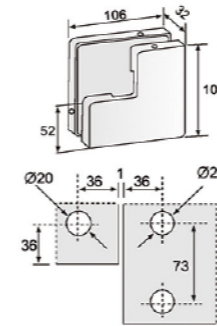


## BM-VM-62

Sidelite Transom Stop Patch

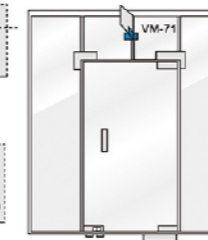
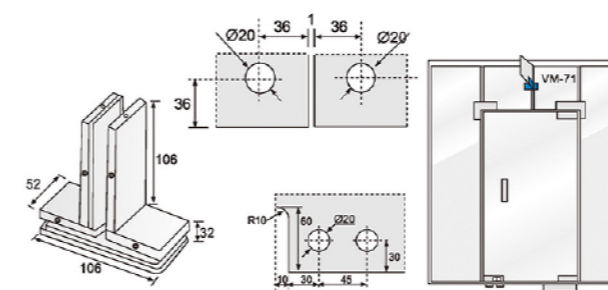


BM-VM-60/61/62/70-BLANKTAB  
Decorative Plate



## BM-VM-71

Transom Connector Fin Patch



## BM-VM-70

Transom Stop Patch

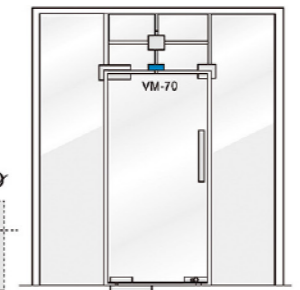
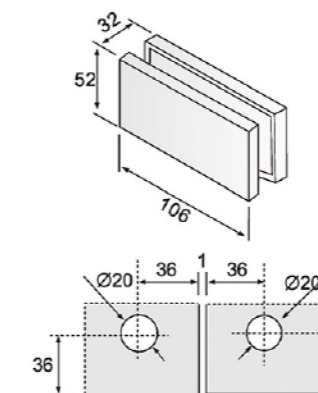


BM-VM-60/61/62/70-BLANKTAB  
Decorative Plate

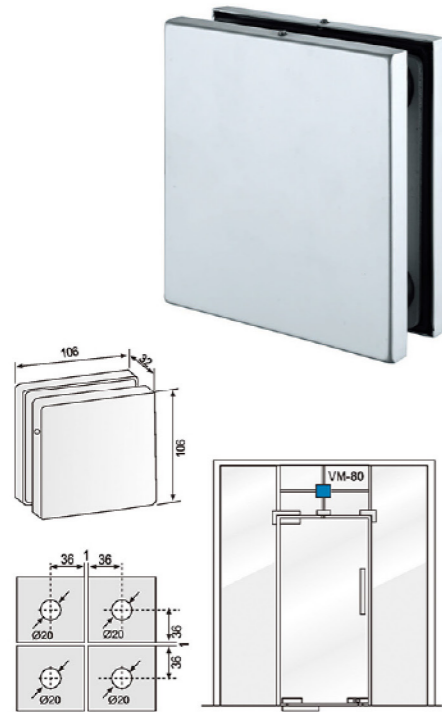
Compatible parts



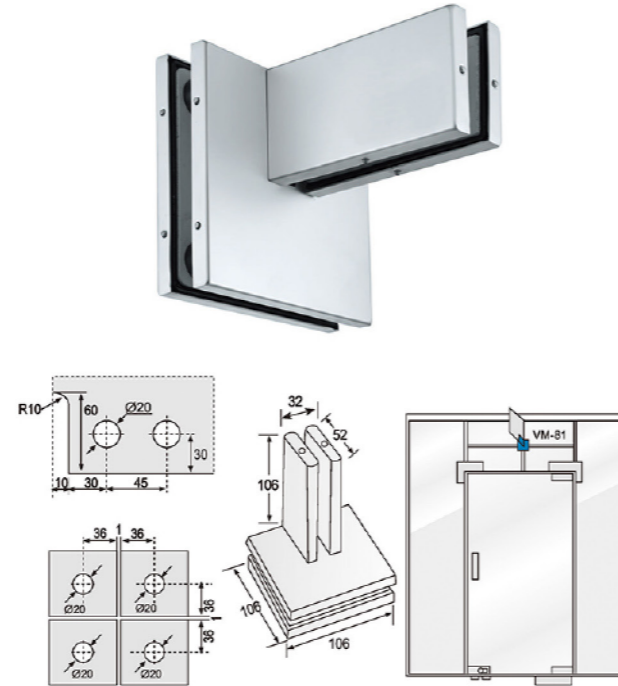
BM-VM-60/61/70-STOPTAB  
Limit Plate



## BM-VM-80 Sidelite Connector Patch



## BM-VM-81 Sidelite Fin Patch



## BM-VM-1519-10

Bottom Patch

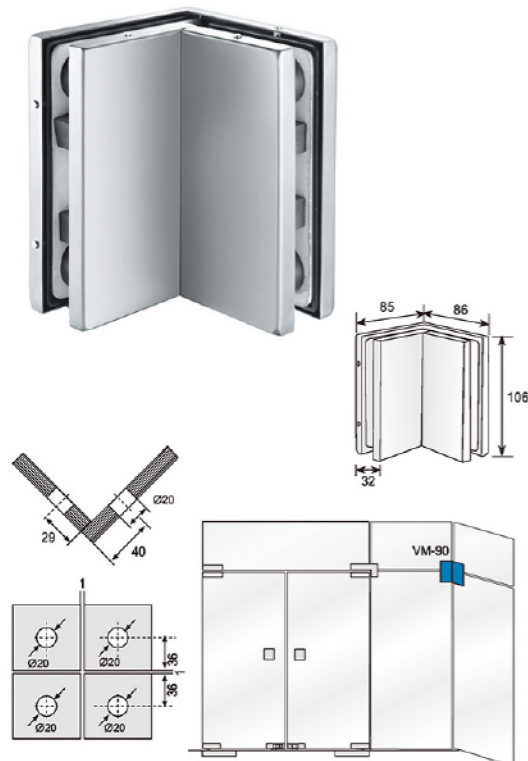


BM-VM-10-PVTINS  
Bottom Clamp

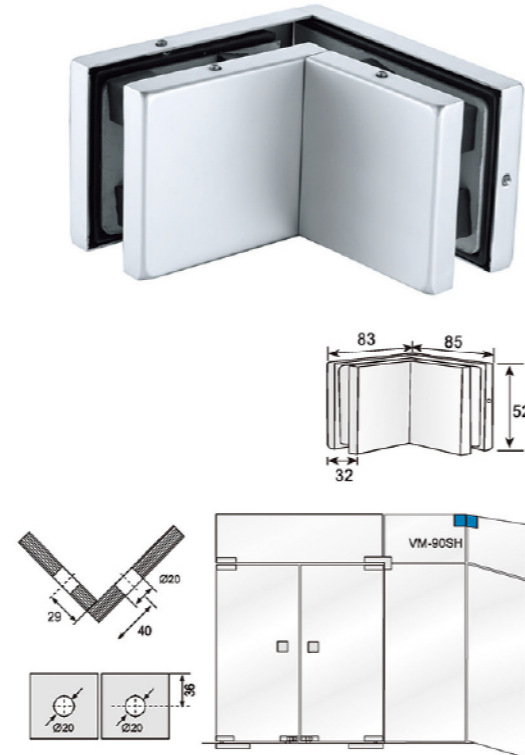
### Specifications

- Maximum Door Weight: 150kgs
- Maximum Door Width: 1100mm
- Door Thickness: 15mm/19mm
- Finishes: 28 /32 /32D /314 etc.
- Material: Stainless steel inserts
- Aluminum castings
- Aluminum or stainless steel covers
- Environmentally friendly non-asbestos gaskets

## BM-VM-90 Sidelite 90° Patch

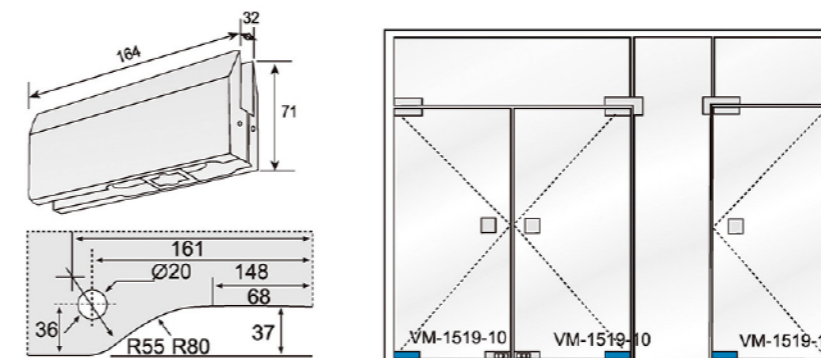


## BM-VM-90SH Sidelite 90° Short Patch



### Products Fetures

Innovative design, bigger castings to widen the contact area with glass, safer to use.  
Compatible with 15/19mm monolithic or laminated glass.  
Let the axis centerline always be accordance with centerline of glass.  
Compatible with varieties of floor springs.



## BM-VM-60

Top Clamp (Heavy-Duty)

### Specifications

Maximum Door Weight: 150kgs  
 Maximum Door Width: 1100mm  
 Door Thickness: 15mm/19mm  
 Finishes: 28 /32 /32D /314 etc.  
 Material: Stainless steel inserts  
 aluminum castings  
 Aluminum or stainless steel covers  
 Environmentally friendly non-asbestos gaskets

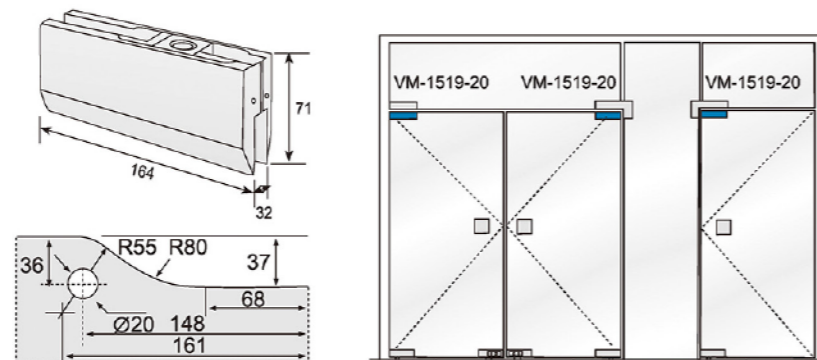


BM-VM-20-INS  
Top Clamp

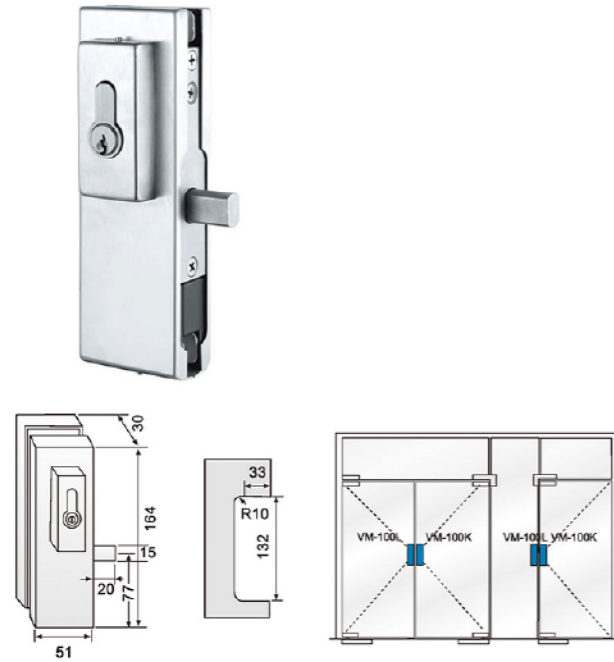


### Products Fetures

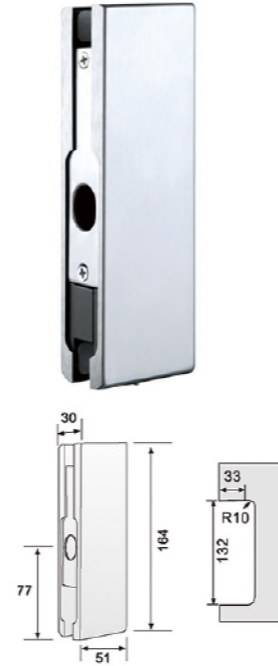
Innovative design, bigger castings to widen the contact area with glass, safer to use.  
 Compatible with 15/19mm monolithic or laminated glass.  
 Let the axis centerline always be accordance with centerline of glass.  
 Compatible with varieties of floor springs.



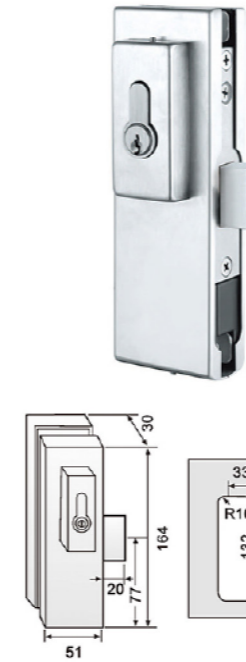
## BM-VM-100L Center Lock



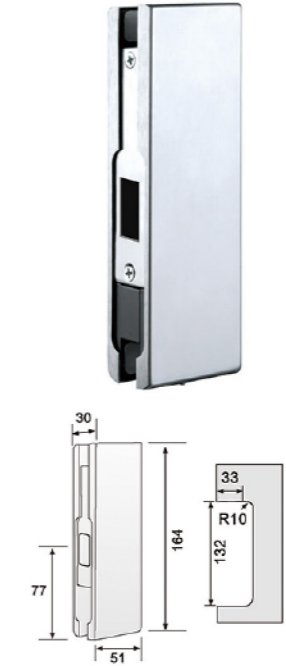
## BM-VM-100K Center Keeper



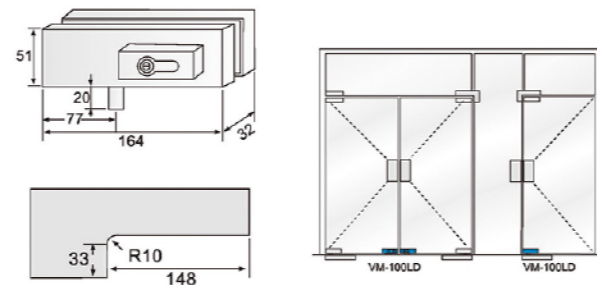
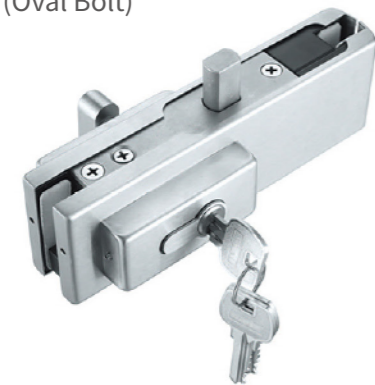
## BM-VM-100LF Central Lock Clamp (Dummy Bolt)



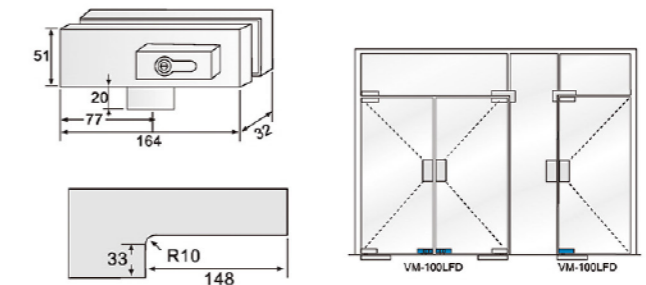
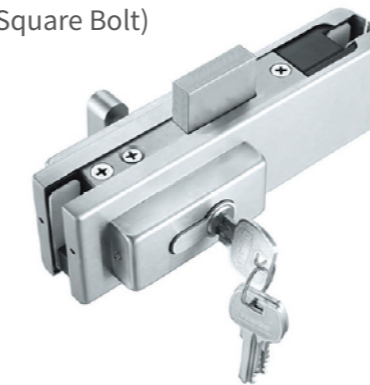
## BM-VM-100KF Center Keeper



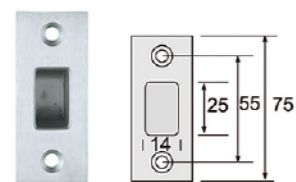
## BM-VM-100LD Floor Lock (Oval Bolt)



## BM-VM-100LFD Floor Lock (Square Bolt)



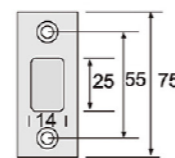
### Compatible parts



**BM-VM-SS-STRIKE-2514**  
Stainless Steel Lock Box



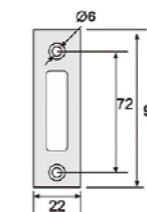
**BM-VM-ZN-STRIKE-2514**  
Zinc Alloy Lock Box



**BM-VM-SS-STRIKE-Φ 16**  
Stainless Steel Dust Cover

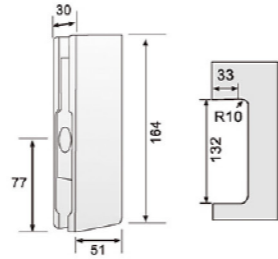
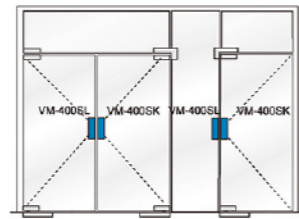
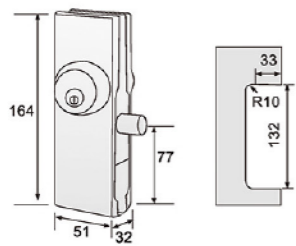


**BM-VM-SS-PLATE-4011**  
Stainless Steel Strike Plate



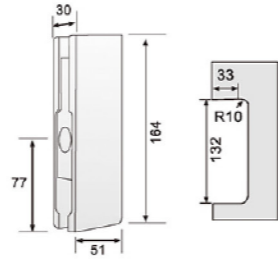
## BM-VM-400SL

Central Lock Clamp (Round Bolt)



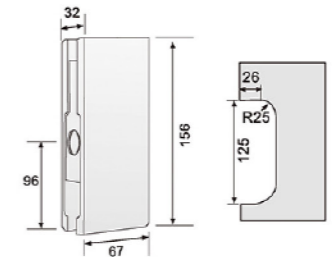
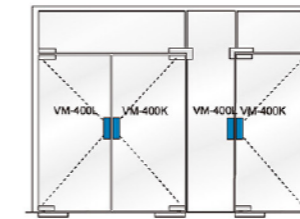
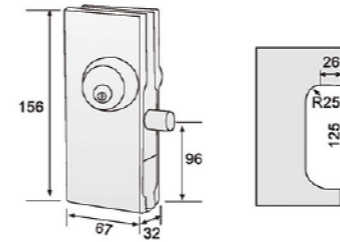
## BM-VM-400SK

Center Keeper



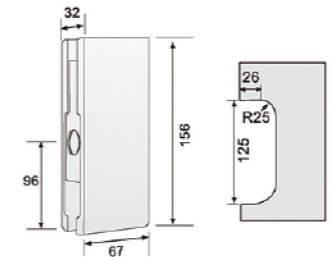
## BM-VM-400L

Central Lock Clamp (Dummy Bolt)



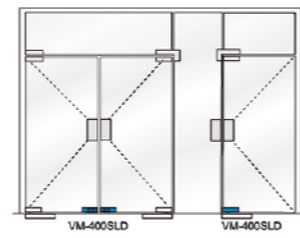
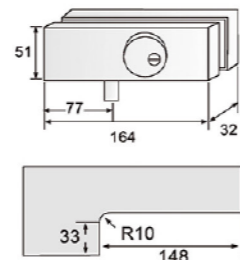
## BM-VM-400KF

Center Keeper



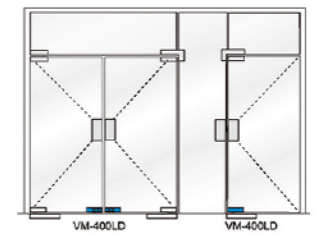
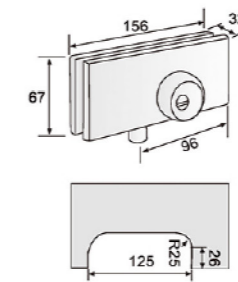
## BM-VM-400SLD

Floor Lock (Round Bolt)

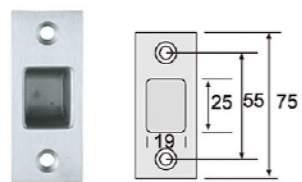


## BM-VM-400LD

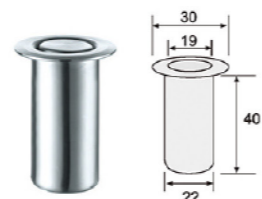
Floor Lock (Round Bolt)



Compatible parts

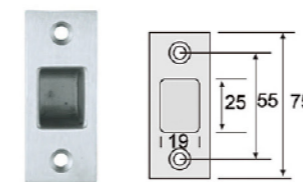


BM-VM-SS-STRIKE-2519  
Stainless Steel Lock Box

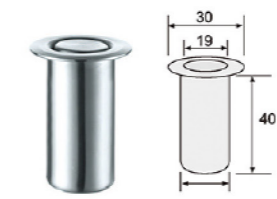


BM-VM-SS-STRIKE-Φ19  
Stainless Steel Dust Cover

Compatible parts



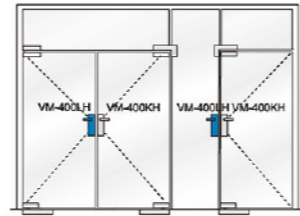
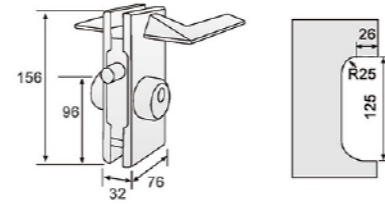
BM-VM-SS-STRIKE-2519  
Stainless Steel Lock Box



BM-VM-SS-STRIKE-Φ19  
Stainless Steel Dust Cover

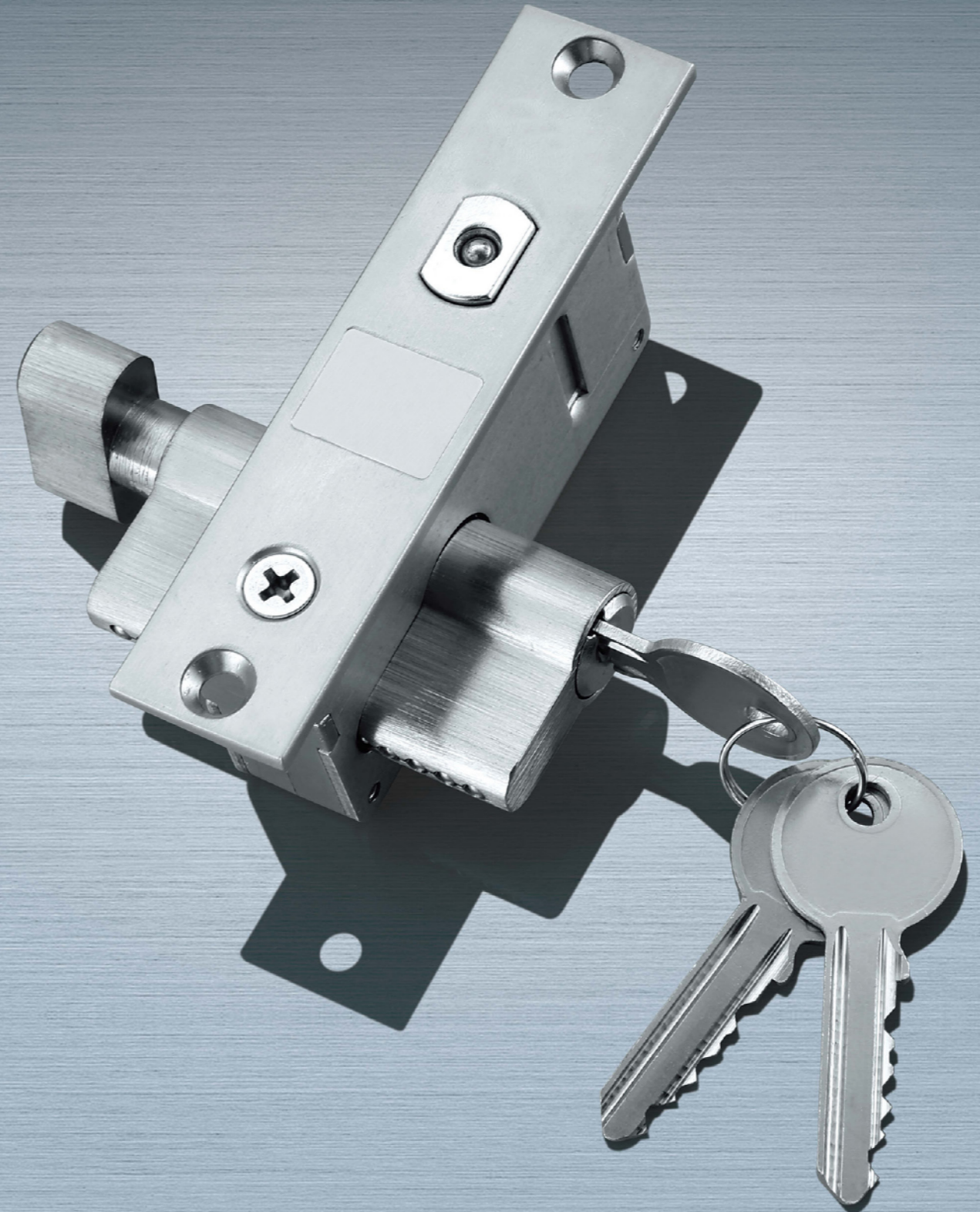
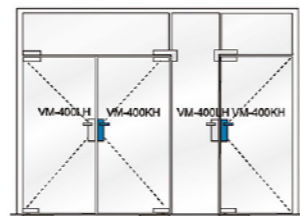
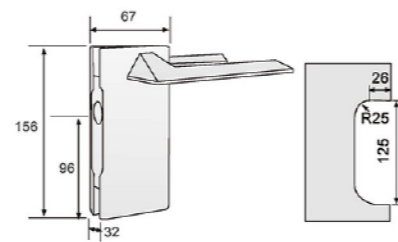
## BM-VM-400LH

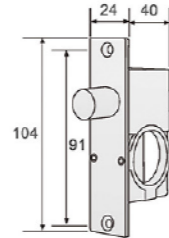
Central Lock Clamp (Round Bolt)



## BM-VM-400KH

Center Keeper

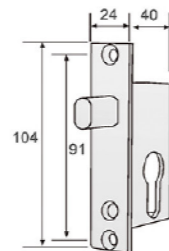




## BM-VM-400LC

Lock Carrier

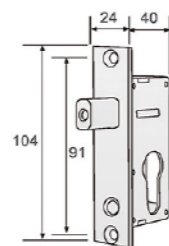
American standard lock carrier (UN1.150-32)  
SS304 precision casting lock carrier and bolt  
Compatible with framed door or door rails  
Finish: 32/32D etc



## BM-VM-400LC-A

Lock Carrier

American standard lock carrier (UN1.150-32)  
SS304 precision casting lock carrier and bolt  
Compatible with framed door or door rails  
Finish: 32/32D etc



## BM-VM-400LC-B

Lock Carrier

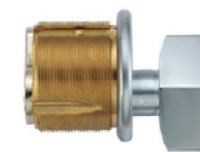
American standard lock carrier (UN1.150-32)  
SS304 precision casting lock carrier and bolt  
Compatible with framed door or door rails  
Finish: 32/32D etc



## BM-VM-400-Cylinder

Cylinder

American standard brass lock cylinder (UN1.150-32)  
Sizes of length can be customized  
Finish: 28/32/32D/314 etc.c



## BM-VM-400-Thumb turn

Thumb turn

American standard brass lock cylinder (UN1.150-32)  
Sizes of length can be customized  
Finish: 28/32/32D/314 etc.c



## BM-VM-100-Cylinder-D

Cylinder

American standard brass lock cylinder (UN1.150-32)  
Sizes of length can be customized  
Finish: 28/32/32D/314 etc.

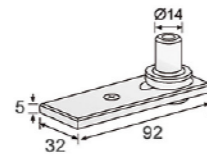


## BM-VM-100-Cylinder-S

Cylinder with Knob

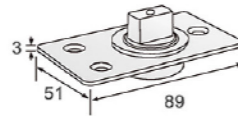
American standard brass lock cylinder (UN1.150-32)  
Sizes of length can be customized  
Finish: 28/32/32D/314 etc.

## BM-VM-ADJ-PVT Adjustable Pivot



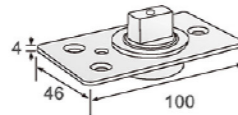
SS304 plate and pivot, adjustable height  
Stainless Steel or aluminum cover  
Weight capacity: 100kgs  
Finish: 28/32/32D/314 etc.

## BM-VM-FP5 Floor Pivot



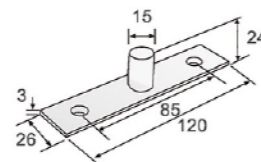
SS304 plate  
Weight capacity: 150kgs  
Varieties of pivots optional  
Finish: 32/32D etc.

## BM-VM-FP6 Floor Pivot



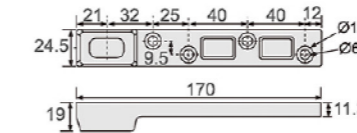
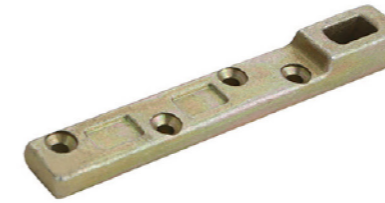
SS304 plate  
Weight capacity: 150kgs  
Varieties of pivots optional  
Finish: 32/32D etc.

## BM-VM-SM-PVT Surface Mounted Pivot



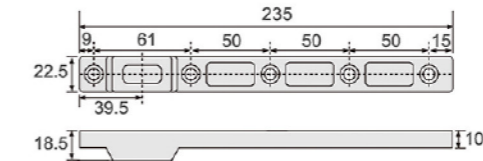
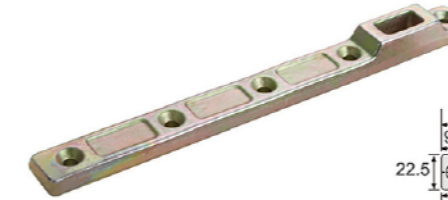
SS304 plate and pivot  
Finish: 32/32D etc

## BM-VM-FCA-170 Short Floor Closer Arm



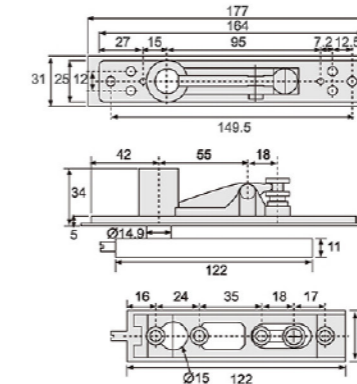
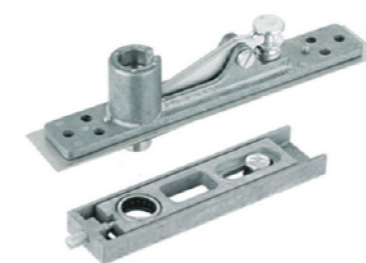
Carbon steel arm  
Compatible with varieties of floor springs  
Finish: Zinc plating (white/blue/color).

## BM-VM-FCA-235 Long Floor Closer Arm



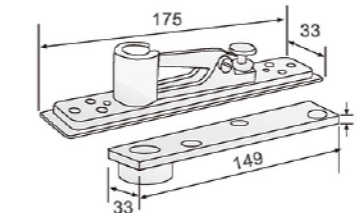
Carbon steel arm  
Compatible with varieties of floor springs  
Finish: Zinc plating (white/blue/color).

## BM-VM-PVT-AWB LAdjustable Walking Beam Pivot

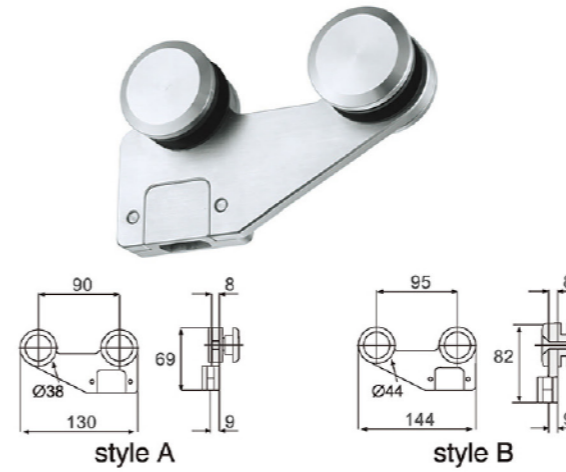
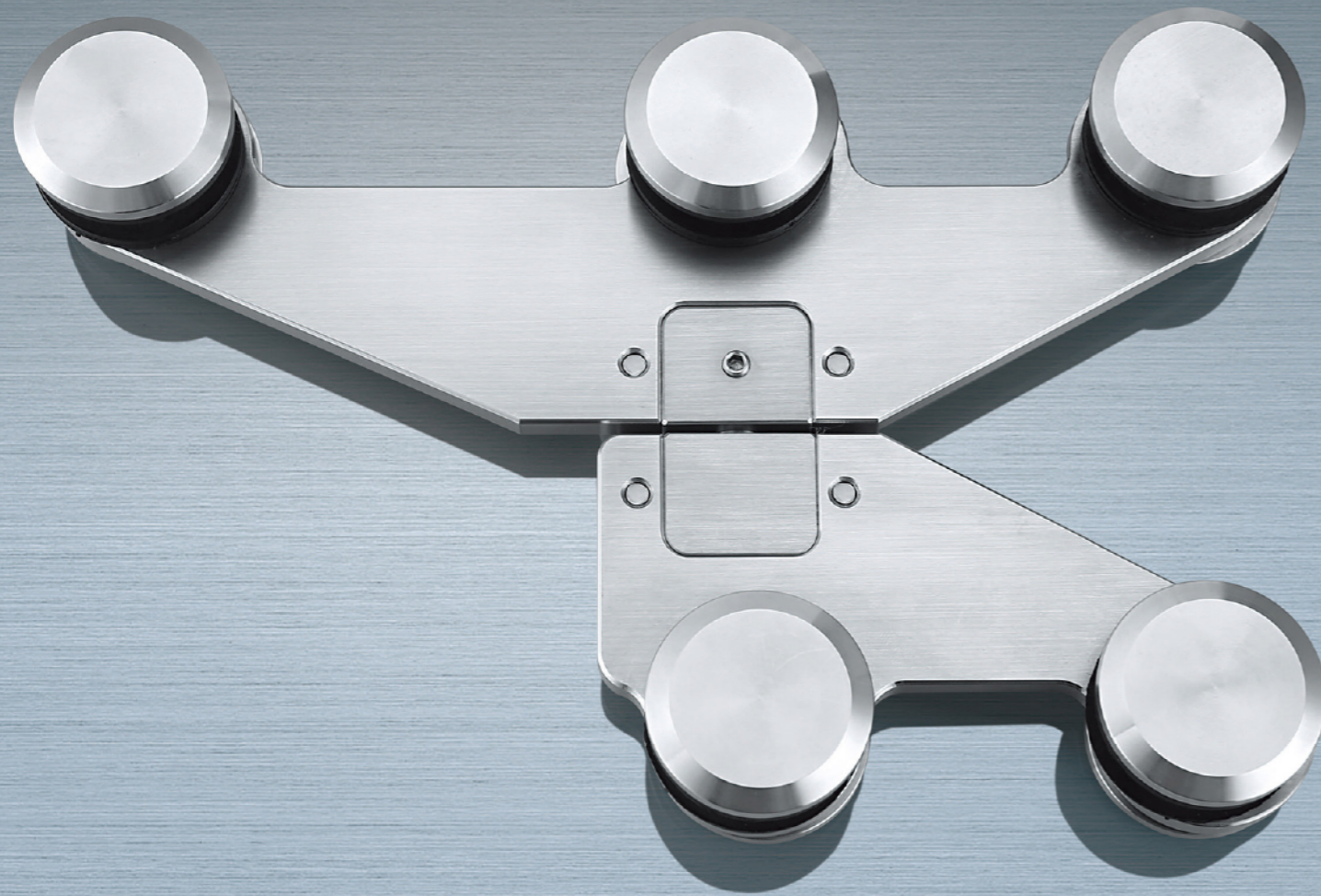


Zinc alloy adjustable arm with bearing  
Stainless steel plate  
Finish: Zinc plating (white/blue/color)

## BM-VM-PVT-WB Walking Beam Pivot

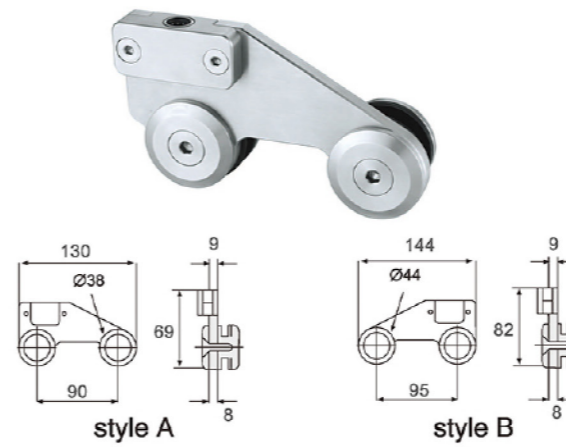


Zinc alloy arm with bearing  
Stainless steel plate  
Finish: Zinc plating (white/blue/color)



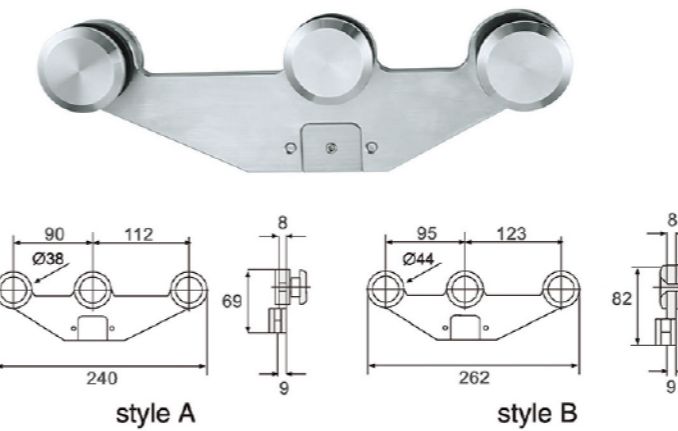
## BM-VM-10G Bottom Patch

Highquality SS304  
 Suit for 10-19mm tempered glass  
 (can be customized)  
 Adjusting range: horizontal 6mm  
 and vertical 5mm  
 Finish:32/32D etc.



## BM-VM-20G Top Patch

Highquality SS304  
 Suit for 10-19mm tempered glass  
 (can be customized)  
 Adjusting range: horizontal 6mm  
 and vertical 5mm  
 Finish:32/32D etc.



## BM-VM-30G Overpanel Patch

Highquality SS304  
 Suit for 10-19mm tempered glass  
 (can be customized)  
 Adjusting range: horizontal 6mm  
 and vertical 5mm  
 Finish:32/32D etc.