

BOLMEN



DOOR STOPPER

SERIES | 

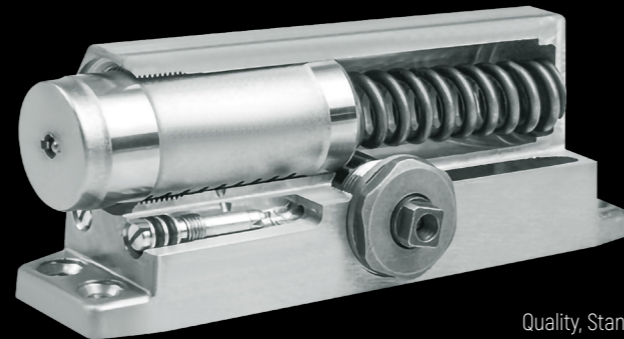
二维码

WWW.BOMENG.COM



BOLMEN

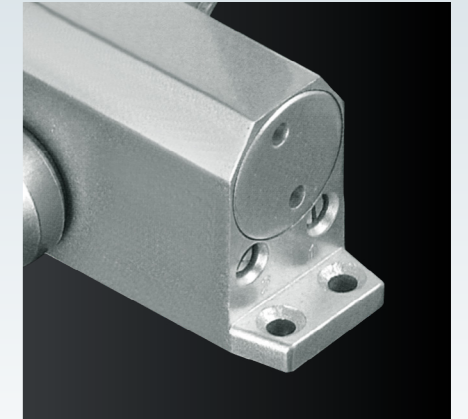
Precision Door Control
Hardware



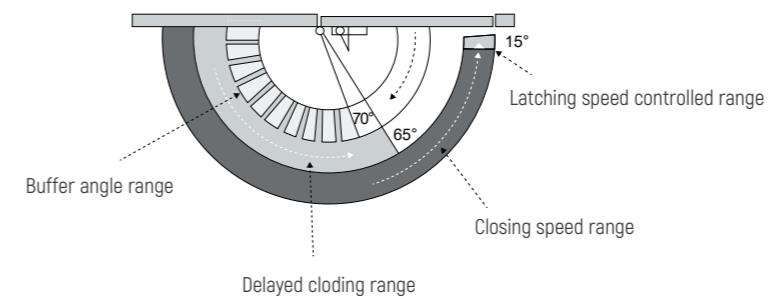
Quality, Stand the test of time
Multiple parts and multiple processes

Gemei Door Closer Has Different Advanced Functions For Your Refence

- ★ 90° Hold-open function: door can keep standstill when door is open at 90°
- ★ Closing & latching continuous adjustment: the fastest closing in 3 seconds from 90°, slowly door closing above 40 seconds
- ★ when the door opening upon 65°, Buffer function: door closer will create resistance to avoid too much forces, when open the doors and hit the wall by closing quickly & resistance can be adjustment
- ★ Delayed closing function: between 180°-65°, preset by factory is 20 seconds, which can be reduced to 1 second to facilitate the olds & disabilities
- ★ Function Of closing forces adjustment: closing forces decided by different size & weight of door, force adjustable dooe close can adjust it to min forces to reduce resistance and facilitate the olds & disabilities



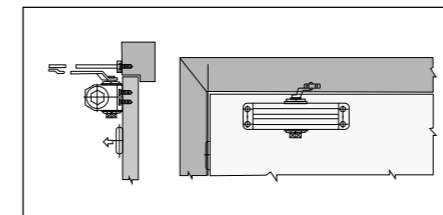
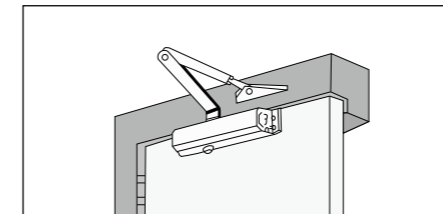
Angle Range of Each Functions



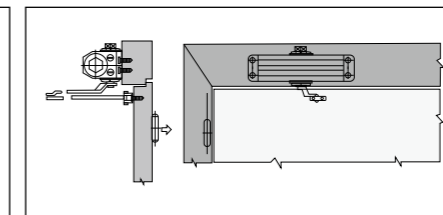
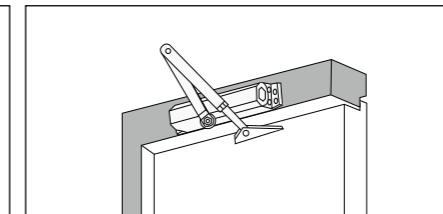
Materials fo ordering



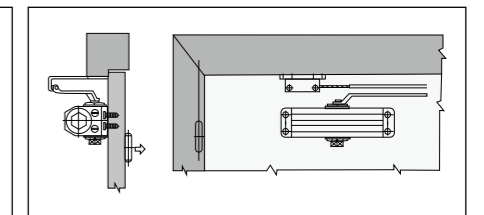
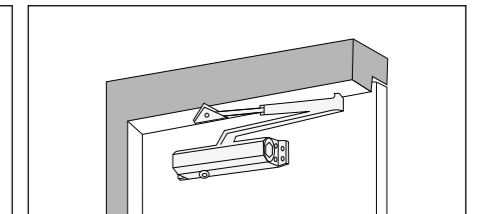
A standard install



B Doorcase install



B Parall rocking arm pedestal install







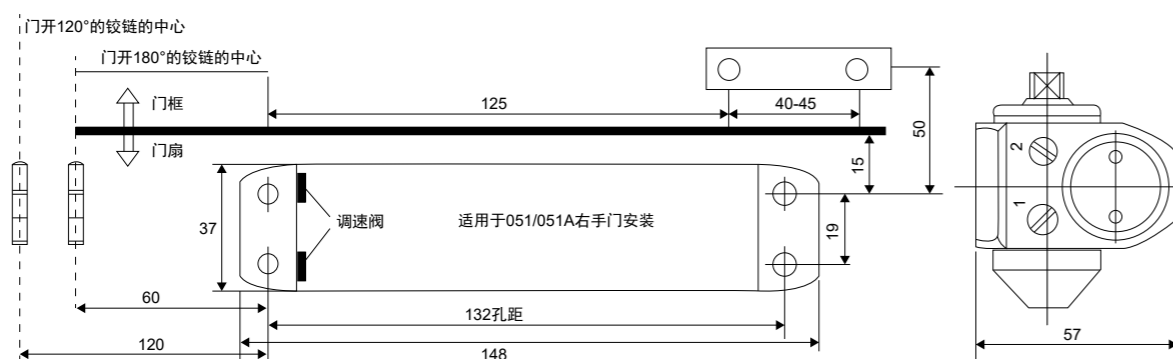
Power level \ 2#

- ★ Double speed full-section control(180°-15°)door closing speed adjustable, (15°-0°) lock-entering speed adjustable.
- ★ The body is quality die-cast aluminum alloy,with 3-layer bright paint protection.(The color can be customized)
- ★ Quality alloy steel gear; piston features additional 3-process precision treatment for assured product quality.
- ★ Adopts imported sealing ring, needle bearing and high-performance spring structure design, which greatly increase leakage prevention, low-temperature and mechanical properties, so that the door closer is more stable and reliable.

¥:

Technical data

-  All metal & plastic door
-  Max door width | $\leq 950\text{mm}$
-  Max door weight | $\leq 45\text{Kg}$
-  Function: 90° positioning and 180° non positioning



BM-A-800

SERIES DOOR CLOSER






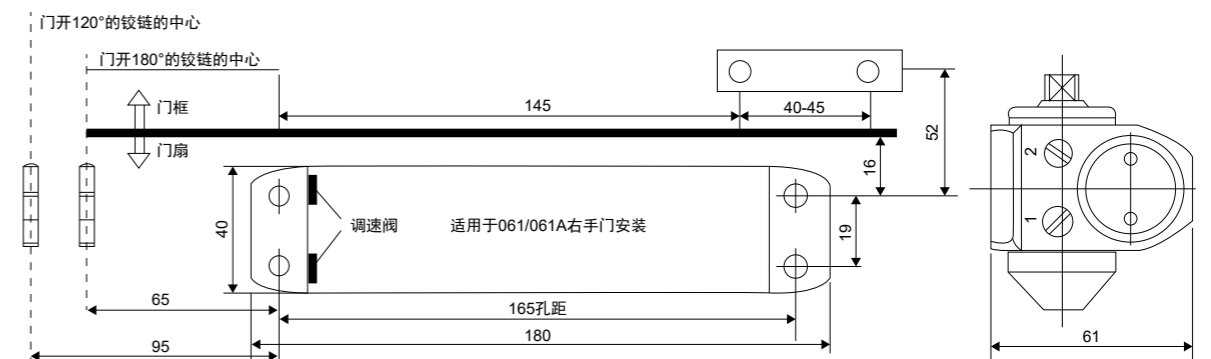
Power level \ 3#

- ★ Double speed full-section control(180°-15°)door closing speed adjustable, (15°-0°) lock-entering speed adjustable.
- ★ The body is quality die-cast aluminum alloy,with 3-layer bright paint protection.(The color can be customized)
- ★ Quality alloy steel gear; piston features additional 3-process precision treatment for assured product quality.
- ★ Adopts imported sealing ring, needle bearing and high-performance spring structure design, which greatly increase leakage prevention, low-temperature and mechanical properties, so that the door closer is more stable and reliable.

¥:

Technical data

-  All metal & plastic door
-  Max door width | $\leq 1000\text{mm}$
-  Max door weight | $\leq 65\text{Kg}$
-  Function: 90° positioning and 180° non positioning







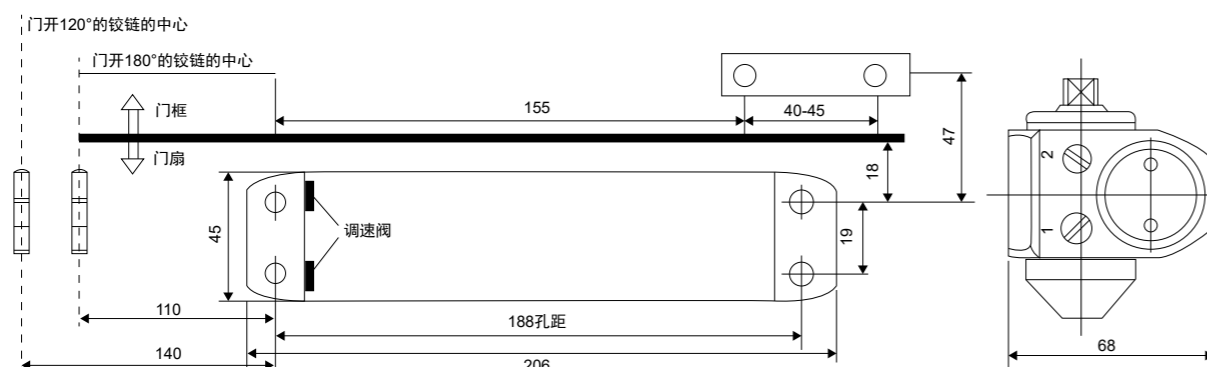
Power level \ 4#

- ★ Double speed full-section control(180°-15°)door closing speed adjustable, (15°-0°) lock-entering speed adjustable.
- ★ The body is quality die-cast aluminum alloy,with 3-layer bright paint protection.(The color can be customized)
- ★ Quality alloy steel gear; piston features additional 3-process precision treatment for assured product quality.
- ★ Adopts imported sealing ring, needle bearing and high-performance spring structure design, which greatly increase leakage prevention, low-temperature and mechanical properties, so that the door closer is more stable and reliable.

¥:

Technical data

-  All metal & plastic door
-  Max door width | $\leq 1200\text{mm}$
-  Max door weight | $\leq 85\text{Kg}$
-  Function: 90° positioning and 180° non positioning



BM-A-802

SERIES DOOR CLOSER







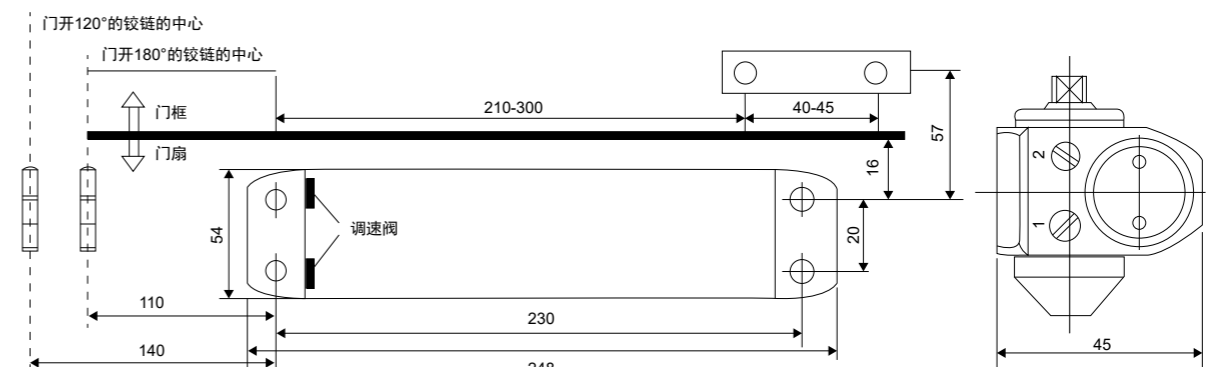
Power level \ 5#

- ★ Double speed full-section control(180°-15°)door closing speed adjustable, (15°-0°) lock-entering speed adjustable.
- ★ The body is quality die-cast aluminum alloy,with 3-layer bright paint protection.(The color can be customized)
- ★ Quality alloy steel gear; piston features additional 3-process precision treatment for assured product quality.
- ★ Adopts imported sealing ring, needle bearing and high-performance spring structure design, which greatly increase leakage prevention, low-temperature and mechanical properties, so that the door closer is more stable and reliable.

¥:

Technical data

-  All metal & plastic door
-  Max door width | $\leq 1300\text{mm}$
-  Max door weight | $\leq 100-180\text{Kg}$
-  Function: 90° positioning and 180° non positioning



BM-A-803

SERIES DOOR CLOSER



Power level \ 3#

- ★ Double speed full-section control(180°-15°)door closing speed adjustable, [15°-0°] lock-entering speed adjustable.
- ★ The body is quality die-cast aluminum alloy,with 3-layer bright paint protection.(The color can be customized)
- ★ Quality alloy steel gear; piston features additional 3-process precision treatment for assured product quality.
- ★ Adopts imported sealing ring, needle bearing and high-performance spring structure design, which greatly increase leakage prevention, low-temperature and mechanical properties, so that the door closer is more stable and reliable.

BM-A-2000

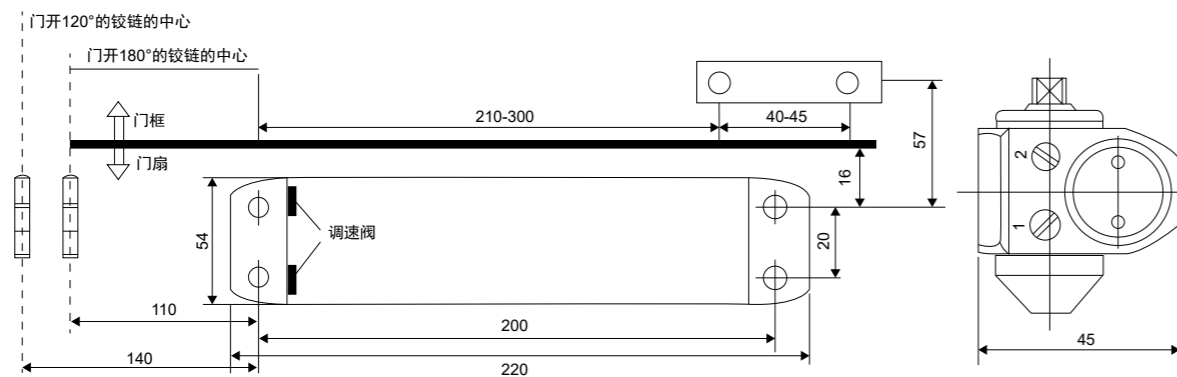
SERIES DOOR CLOSER



¥:

Technical data

-  All metal & plastic door
-  Max door width | $\leq 1000\text{mm}$
-  Max door weight | $\leq 65\text{Kg}$
-  Function: 90° positioning and 180° non positioning



Power level \ 3#

- ★ Double speed full-section control(180°-15°)door closing speed adjustable, [15°-0°] lock-entering speed adjustable.
- ★ The body is quality die-cast aluminum alloy,with 3-layer bright paint protection.(The color can be customized)
- ★ Quality alloy steel gear; piston features additional 3-process precision treatment for assured product quality.
- ★ Adopts imported sealing ring, needle bearing and high-performance spring structure design, which greatly increase leakage prevention, low-temperature and mechanical properties, so that the door closer is more stable and reliable.





BM-A-2000-D

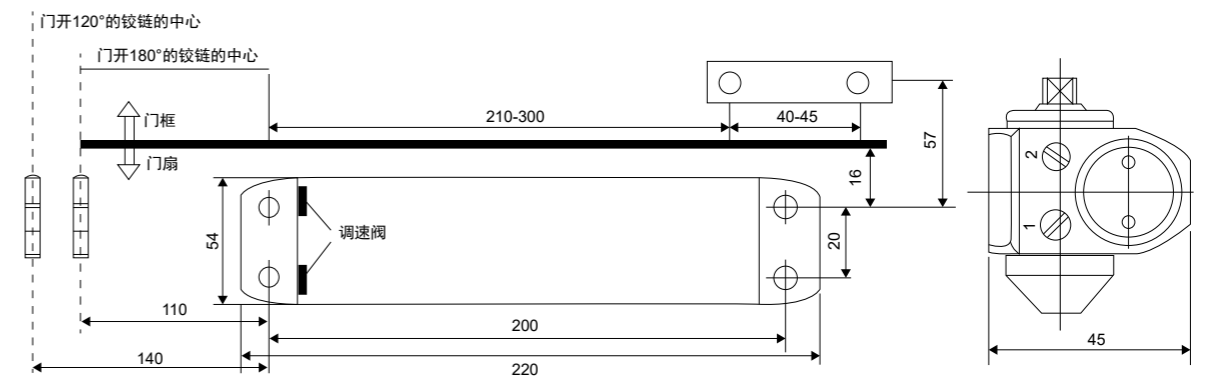
SERIES DOOR CLOSER



¥:

Technical data

-  All metal & plastic door
-  Max door width | $\leq 1000\text{mm}$
-  Max door weight | $\leq 65\text{Kg}$
-  Function: 90° positioning and 180° non positioning



Power level \ 3#

- ★ Double speed full-section control(180°-15°)door closing speed adjustable, (15°-0°) lock-entering speed adjustable.
- ★ The body is quality die-cast aluminum alloy,with 3-layer bright paint protection.(The color can be customized)
- ★ Quality alloy steel gear; piston features additional 3-process precision treatment for assured product quality.
- ★ Adopts imported sealing ring, needle bearing and high-performance spring structure design, which greatly increase leakage prevention, low-temperature and mechanical properties, so that the door closer is more stable and reliable.

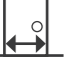
BM-A-2500

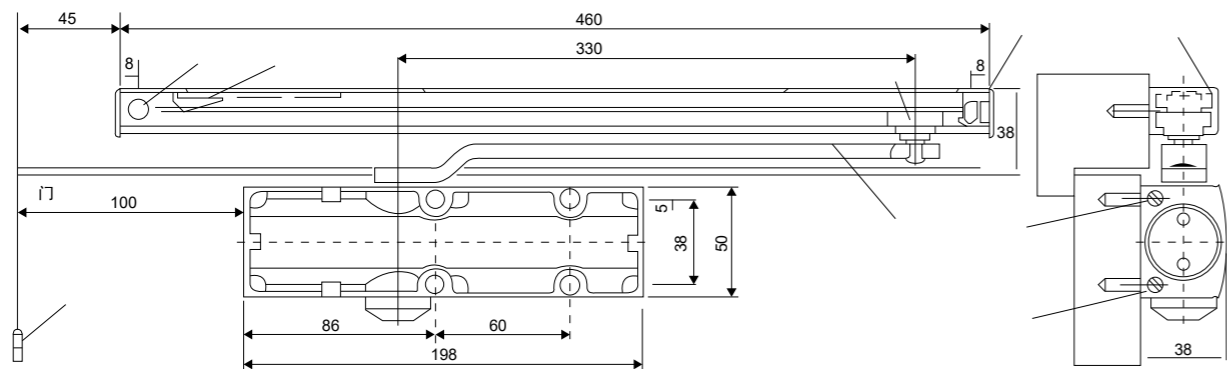
SERIES DOOR CLOSER



¥:

Technical data

-  All metal & plastic door
-  Max door width | $\leq 1000\text{mm}$
-  Max door weight | $\leq 65\text{Kg}$
-  Function: 90° positioning and 180° non positioning



Power level \ 4#

- ★ Double speed full-section control(180°-15°)door closing speed adjustable, (15°-0°) lock-entering speed adjustable.
- ★ The body is quality die-cast aluminum alloy,with 3-layer bright paint protection.(The color can be customized)
- ★ Quality alloy steel gear; piston features additional 3-process precision treatment for assured product quality.
- ★ Adopts imported sealing ring, needle bearing and high-performance spring structure design, which greatly increase leakage prevention, low-temperature and mechanical properties, so that the door closer is more stable and reliable.


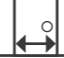
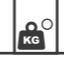

BM-A-3000

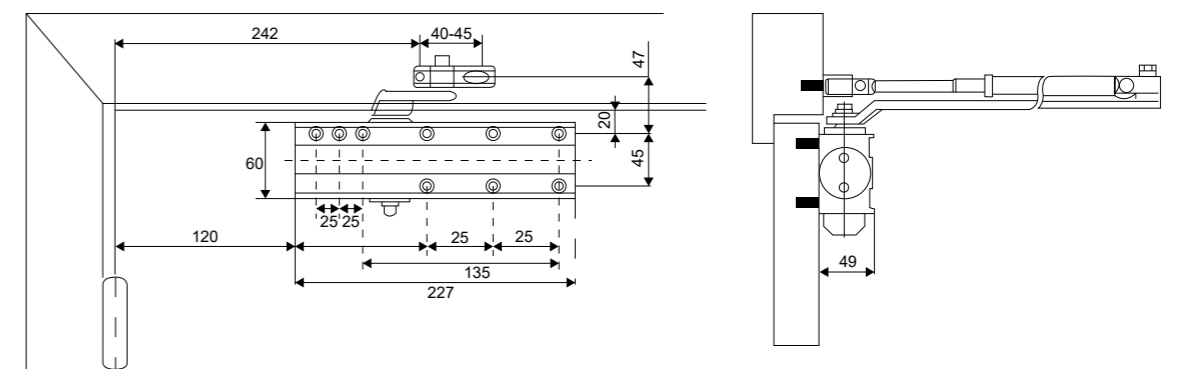
SERIES DOOR CLOSER



¥:

Technical data

-  All metal & plastic door
-  Max door width | $\leq 1200\text{mm}$
-  Max door weight | $\leq 85\text{Kg}$
-  Function: 90° positioning and 180° non positioning



Power level \ 3#

- ★ Double speed full-section control(180°-15°)door closing speed adjustable, (15°-0°) lock-entering speed adjustable.
- ★ The body is quality die-cast aluminum alloy,with 3-layer bright paint protection.(The color can be customized)
- ★ Quality alloy steel gear; piston features additional 3-process precision treatment for assured product quality.
- ★ Adopts imported sealing ring, needle bearing and high-performance spring structure design, which greatly increase leakage prevention, low-temperature and mechanical properties, so that the door closer is more stable and reliable.

BM-A-1000

SERIES DOOR CLOSER




¥:

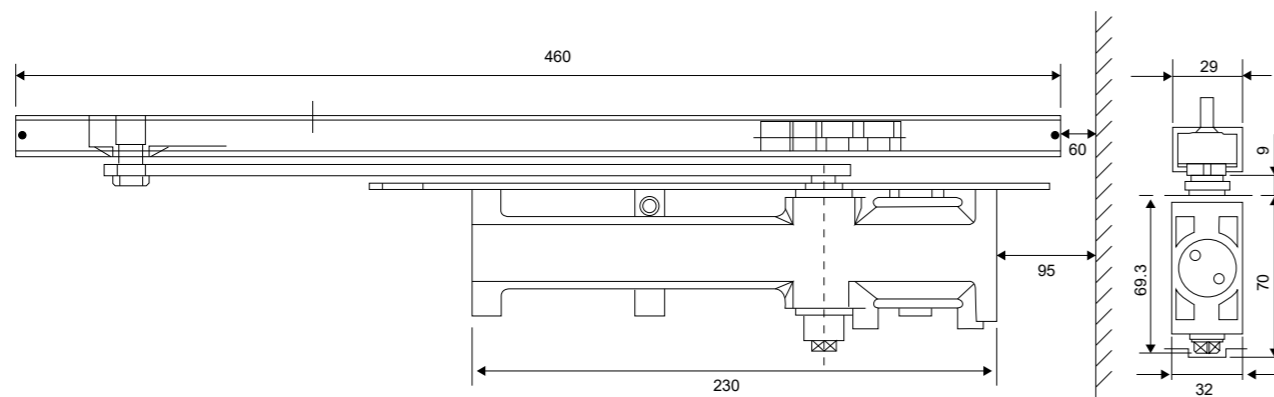
Technical data

 All metal & plastic door

 Max door width | $\leq 1000\text{mm}$

 Max door weight | $\leq 65\text{Kg}$

 Function: 90° positioning and 180° non positioning



Power level \ 3#

- ★ Double speed full-section control(180°-15°)door closing speed adjustable, (15°-0°) lock-entering speed adjustable.
- ★ The body is quality die-cast aluminum alloy,with 3-layer bright paint protection.(The color can be customized)
- ★ Quality alloy steel gear; piston features additional 3-process precision treatment for assured product quality.
- ★ Adopts imported sealing ring, needle bearing and high-performance spring structure design, which greatly increase leakage prevention, low-temperature and mechanical properties, so that the door closer is more stable and reliable.


BM-A-1100

SERIES DOOR CLOSER





¥:

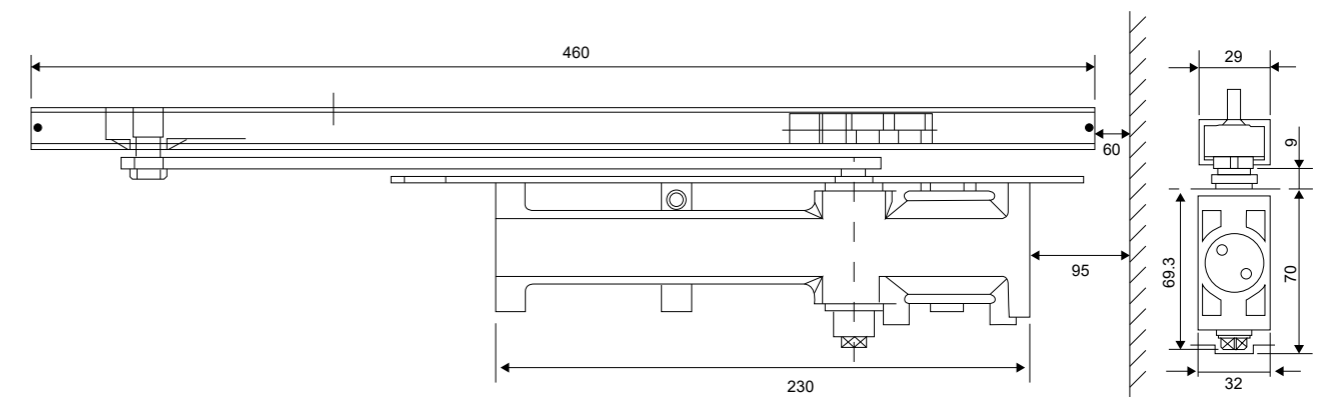
Technical data

 All metal & plastic door

 Max door width | $\leq 1000\text{mm}$

 Max door weight | $\leq 65\text{Kg}$

 Function: 90° positioning and 180° non positioning



Power level \ 3#

- ★ Double speed full-section control(180°-15°)door closing speed adjustable, [15°-0°] lock-entering speed adjustable.
- ★ The body is quality die-cast aluminum alloy,with 3-layer bright paint protection.(The color can be customized)
- ★ Quality alloy steel gear; piston features additional 3-process precision treatment for assured product quality.
- ★ Adopts imported sealing ring, needle bearing and high-performance spring structure design, which greatly increase leakage prevention, low-temperature and mechanical properties, so that the door closer is more stable and reliable.

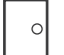



BM-A-1200

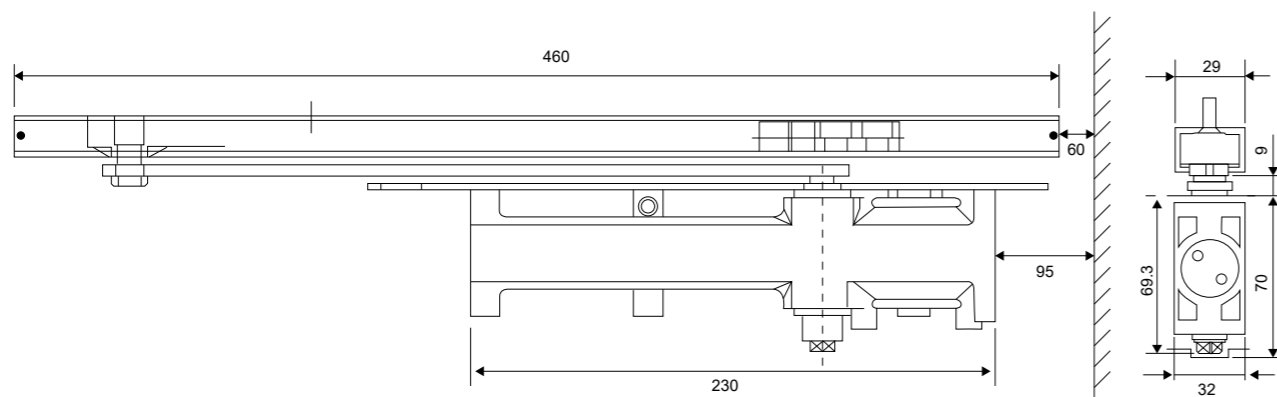
SERIES DOOR CLOSER



¥:

Technical data

-  All metal & plastic door
-  Max door width | $\leq 1000\text{mm}$
-  Max door weight | $\leq 65/85\text{Kg}$
-  Function: 90° positioning and 180° non positioning



Power level \ 5#

- ★ Double speed full-section control(180°-15°)door closing speed adjustable, [15°-0°] lock-entering speed adjustable.
- ★ The body is quality die-cast aluminum alloy,with 3-layer bright paint protection.(The color can be customized)
- ★ Quality alloy steel gear; piston features additional 3-process precision treatment for assured product quality.
- ★ Adopts imported sealing ring, needle bearing and high-performance spring structure design, which greatly increase leakage prevention, low-temperature and mechanical properties, so that the door closer is more stable and reliable.





BM-A-1300

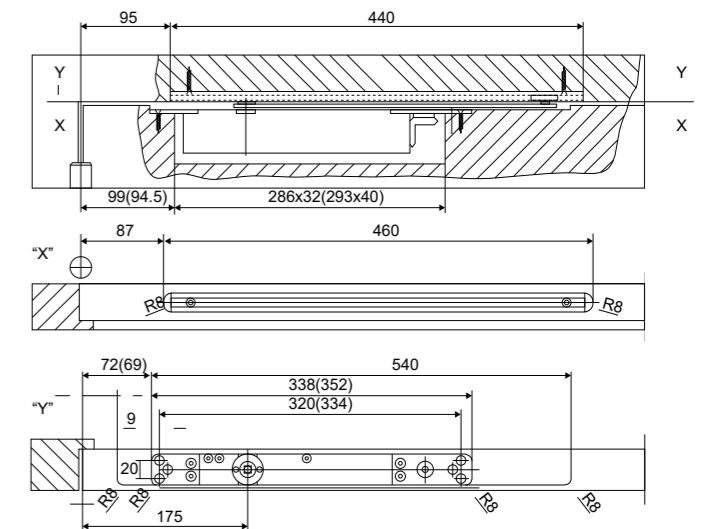
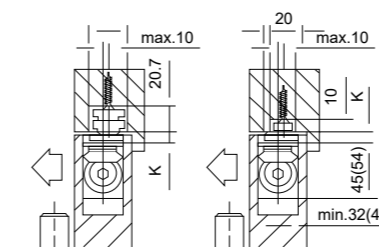
SERIES DOOR CLOSER



¥:

Technical data

-  All metal & plastic door
-  Max door width | $\leq 1300\text{mm}$
-  Max door weight | $\leq 100\text{Kg}$
-  Function: 90° positioning and 180° non positioning



Power level \ 4#

- ★ Double speed full-section control(180°-15°)door closing speed adjustable, (15°-0°) lock-entering speed adjustable.
- ★ The body is quality die-cast aluminum alloy,with 3-layer bright paint protection.(The color can be customized)
- ★ Quality alloy steel gear; piston features additional 3-process precision treatment for assured product quality.
- ★ Adopts imported sealing ring, needle bearing and high-performance spring structure design, which greatly increase leakage prevention, low-temperature and mechanical properties, so that the door closer is more stable and reliable.



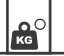

BM-A-802-L

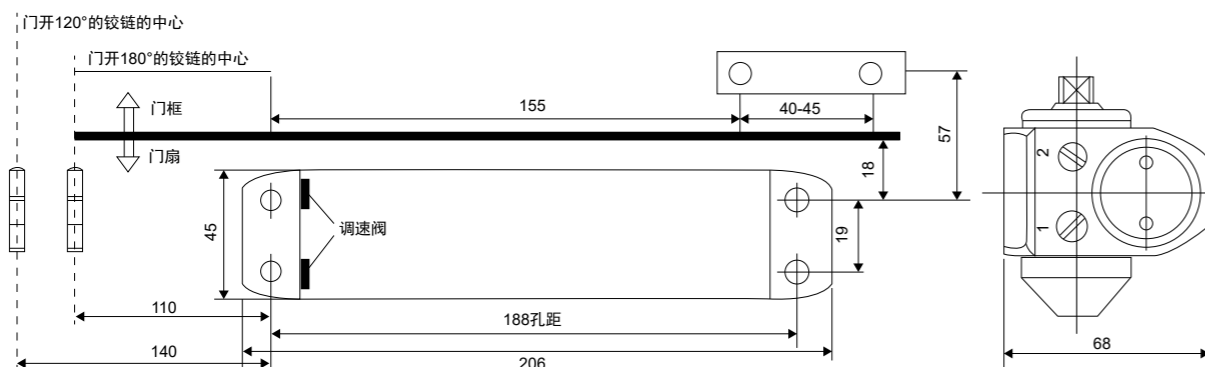
SERIES DOOR CLOSER



¥:

Technical data

-  All metal & plastic door
-  Max door width | $\leq 1200\text{mm}$
-  Max door weight | $\leq 85\text{Kg}$
-  Function: 90° positioning and 180° non positioning



Power level \ 4#

- ★ Double speed full-section control(180°-15°)door closing speed adjustable, (15°-0°) lock-entering speed adjustable.
- ★ The body is quality die-cast aluminum alloy,with 3-layer bright paint protection.(The color can be customized)
- ★ Quality alloy steel gear; piston features additional 3-process precision treatment for assured product quality.
- ★ Adopts imported sealing ring, needle bearing and high-performance spring structure design, which greatly increase leakage prevention, low-temperature and mechanical properties, so that the door closer is more stable and reliable.





BM-A-3000-L

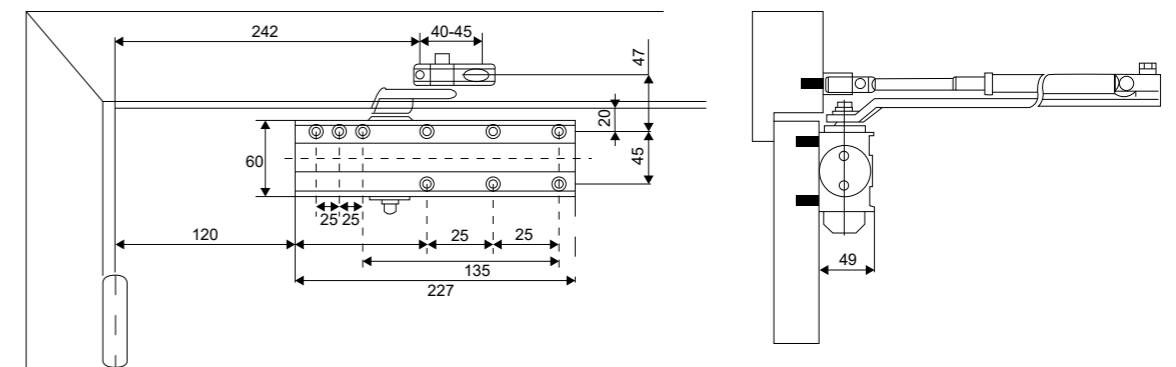
SERIES DOOR CLOSER



¥:

Technical data

-  All metal & plastic door
-  Max door width | $\leq 1200\text{mm}$
-  Max door weight | $\leq 85\text{Kg}$
-  Function: 90° positioning and 180° non positioning







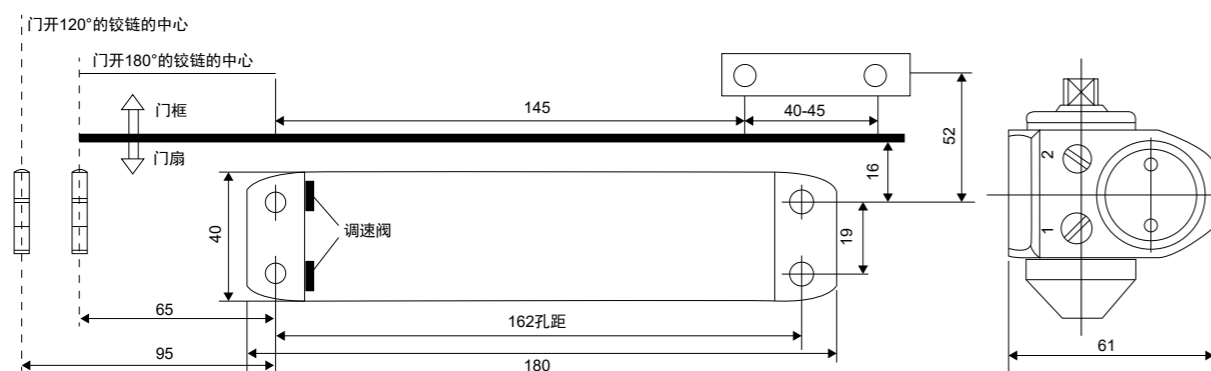
Power level \ 3#

- ★ Double speed full-section control(180°-15°)door closing speed adjustable, [15°-0°] lock-entering speed adjustable.
- ★ The body is quality die-cast aluminum alloy,with 3-layer bright paint protection.(The color can be customized)
- ★ Quality alloy steel gear; piston features additional 3-process precision treatment for assured product quality.
- ★ Adopts imported sealing ring, needle bearing and high-performance spring structure design, which greatly increase leakage prevention, low-temperature and mechanical properties, so that the door closer is more stable and reliable.

¥:

Technical data

-  All metal & plastic door
-  Max door width | $\leq 1000\text{mm}$
-  Max door weight | $\leq 65\text{Kg}$
-  Function: 90° positioning and 180° non positioning



BM-A-071

SERIES DOOR CLOSER







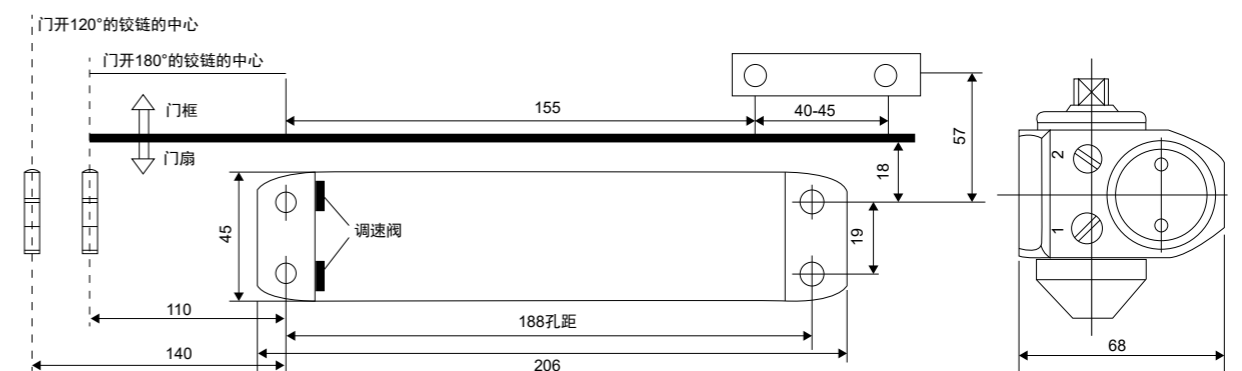
Power level \ 4#

- ★ Double speed full-section control(180°-15°)door closing speed adjustable, [15°-0°] lock-entering speed adjustable.
- ★ The body is quality die-cast aluminum alloy,with 3-layer bright paint protection.(The color can be customized)
- ★ Quality alloy steel gear; piston features additional 3-process precision treatment for assured product quality.
- ★ Adopts imported sealing ring, needle bearing and high-performance spring structure design, which greatly increase leakage prevention, low-temperature and mechanical properties, so that the door closer is more stable and reliable.

¥:

Technical data

-  All metal & plastic door
-  Max door width | $\leq 1200\text{mm}$
-  Max door weight | $\leq 85\text{Kg}$
-  Function: 90° positioning and 180° non positioning



BM-A-072

SERIES DOOR CLOSER



High-end Accessories for Precision Door Closers

