

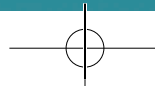


BOLMEN



INVISIBLE & HYDRAULIC HINGE

SERIES | 



3D HIDDEN HYDRAULIC HINGE

MODEL:BM-JY001

Hidden Adjustable Hydraulic Hinge

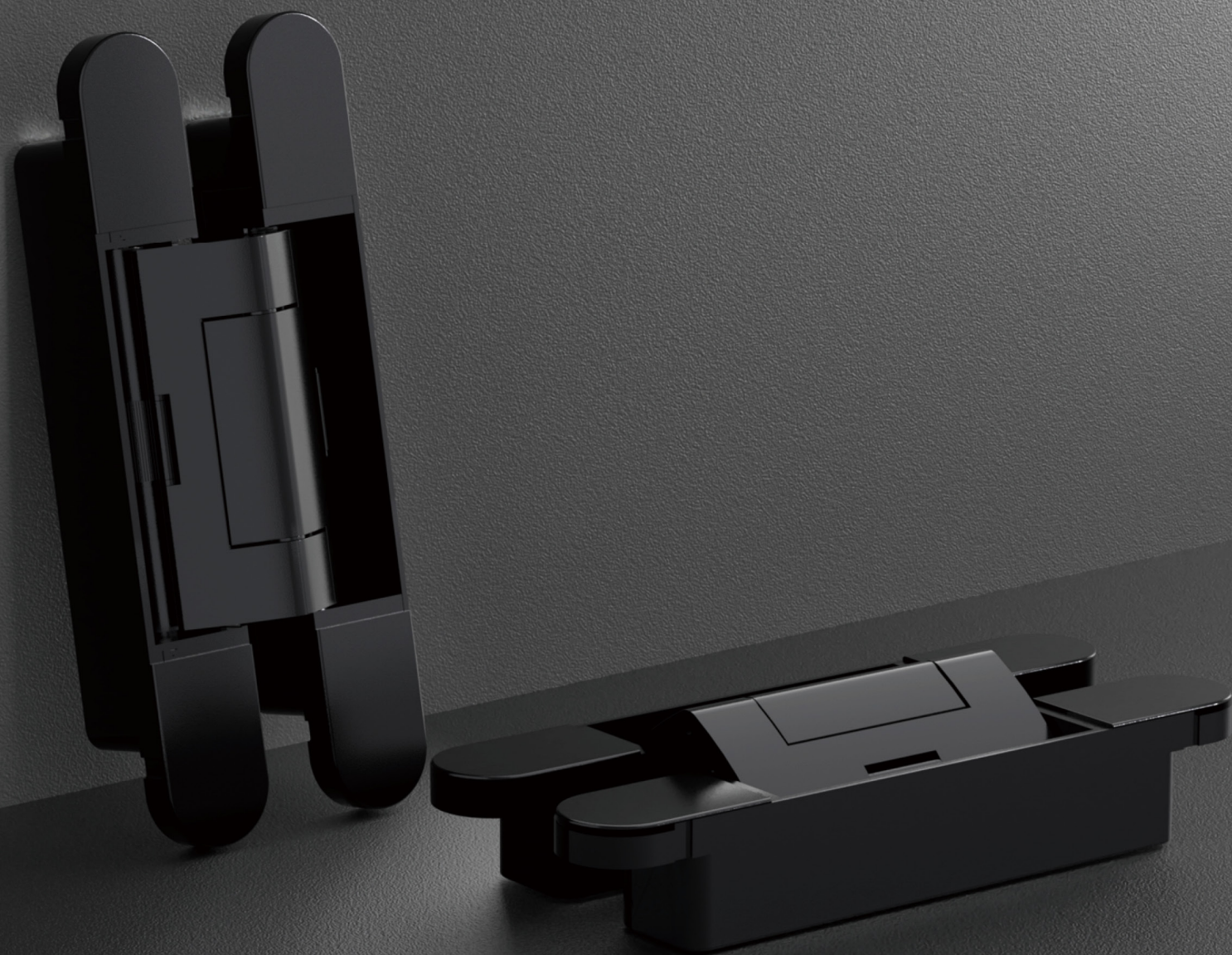
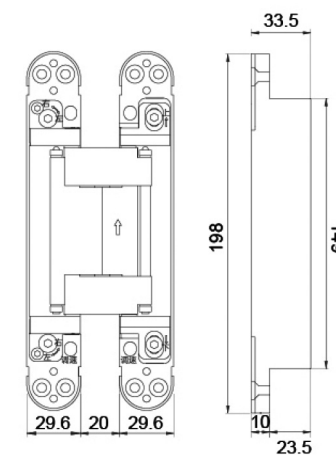
PRODUCT PARAMETERS

Material: Zinc alloy, Aluminum
 Bear the weight: 60kg/2pcs
 Product size: 198x29.6mm
 Fitted door width: ≤ 900 mm
 Suitable door thickness: ≥ 40 mm
 Applicable temperature range: -5°C 45°C
 100,000 times



MAIN FEATURES

1. Appearance and conventional concealed hinges are consistent, the installation method of slotting is also the same.
2. Hinge closure force is the largest, open the angle increases the force decreases, innovative work.
3. Traditional self-closing door products (door closer and other hydraulic hinges, etc.) are with the opening angle increases, open the closing force also increases when the closure of the smallest, not conducive to the actual use of the door, open the door with the force of the feeling of poor, not humane.
4. Extra-long service life, continuous load test over 100,000 times open and close the test.
5. Ultra-strong load-bearing, limit test 80KG/2 hinges can also be opened and closed normally.

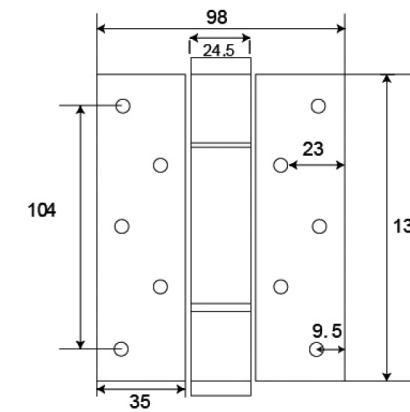


HYDRAULIC HINGE SERIES

MODEL:BM-JY002
FLUSH HYDRAULIC CUSHION HINGE

PRODUCT PARAMETERS

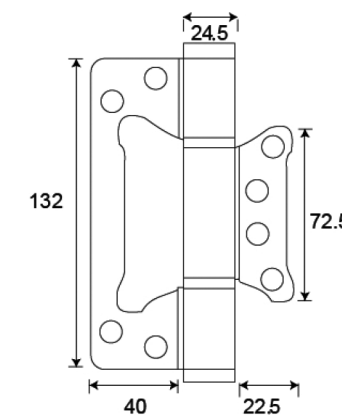
Material: Zinc alloy
 Bear the weight: 50kg/2pcs
 Product size: 132x35mm
 Suitable door thickness: ≥ 38 mm
 Hinge color: Hoarse Black, Ceramic White
 Imitation gold, bronze ancient



MODEL:BM-JY003
HYDRAULIC CUSHION HINGE

PRODUCT PARAMETERS

Material: Zinc alloy
 Bear the weight: 50kg/2pcs
 Product size: 132x40mm
 Suitable door thickness: ≥ 30 mm
 Hinge color: Hoarse Black, Ceramic White
 Imitation gold, bronze ancient



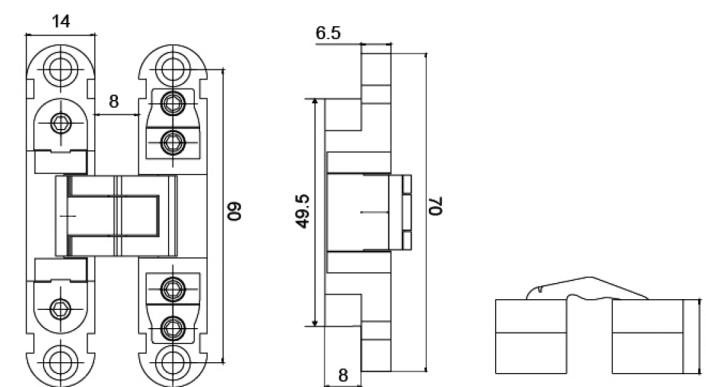
3D ADJUSTABLE CONCEALED HINGE

MODEL:BM-JY004

3D ADJUSTABLE CONCEALED HINGE

PRODUCT PARAMETERS

Material: Zinc alloy
 Bear the weight: 10kg/2pcs
 Product size: 70x14mm
 Suitable door thickness: ≥ 18 mm
 Hinge color: Hoarse Black, Ceramic White
 Imitation gold, bronze ancient

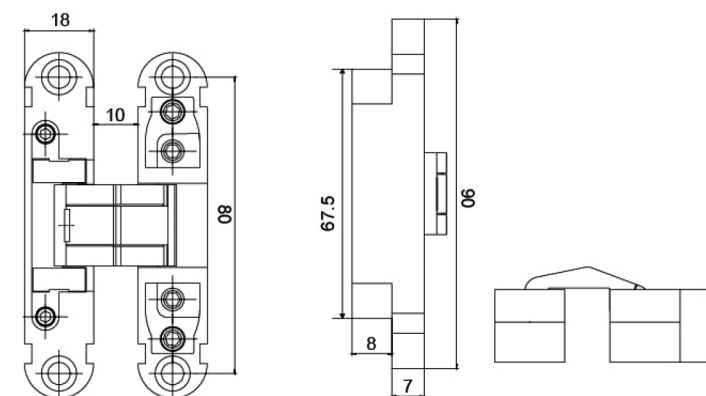


MODEL:BM-JY005

3D ADJUSTABLE CONCEALED HINGE

PRODUCT PARAMETERS

Material: Zinc alloy
 Bear the weight: 50kg/2pcs
 Product size: 132x40mm
 Suitable door thickness: ≥ 30 mm
 Hinge color: Hoarse Black, Ceramic White
 Imitation gold, bronze ancient



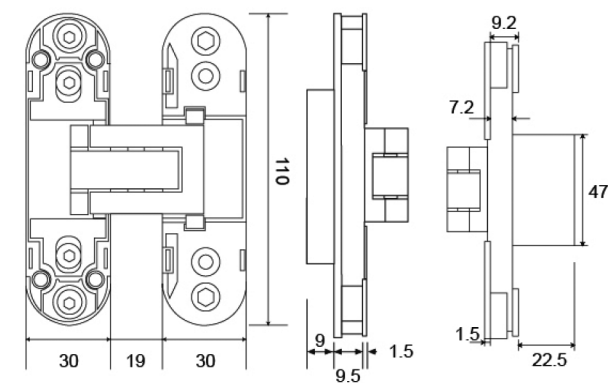
3D ADJUSTABLE CONCEALED HINGE

MODEL:BM-JY006

3D ADJUSTABLE CONCEALED HINGE

PRODUCT PARAMETERS

Material: Zinc alloy
 Bear the weight: 60kg/2pcs
 Product size: 110x30mm
 Suitable door thickness: ≥ 40 mm

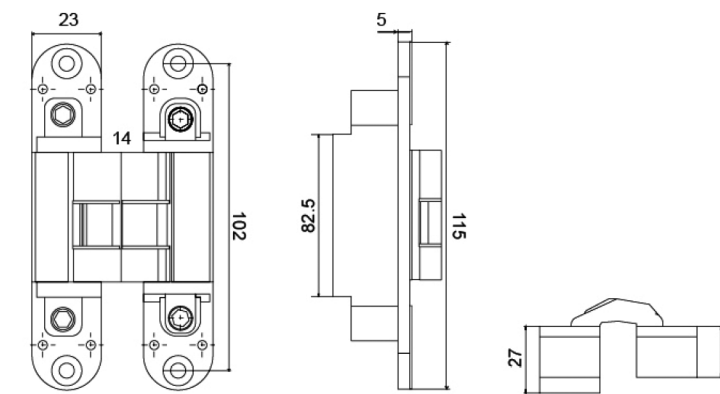


MODEL:BM-JY008

3D ADJUSTABLE CONCEALED HINGE

PRODUCT PARAMETERS

Material: Zinc alloy
 Bear the weight: 40kg/2pcs
 Product size: 115x23mm
 Suitable door thickness: ≥ 31 mm

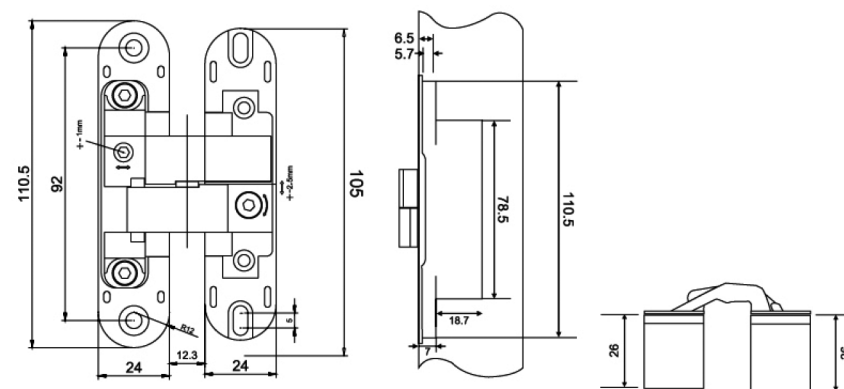


MODEL:BM-JY007

3D ADJUSTABLE CONCEALED HINGE

PRODUCT PARAMETERS

Material: Zinc alloy
 Bear the weight: 40kg/2pcs
 Product size: 110.5x24mm
 Suitable door thickness: ≥ 38 mm

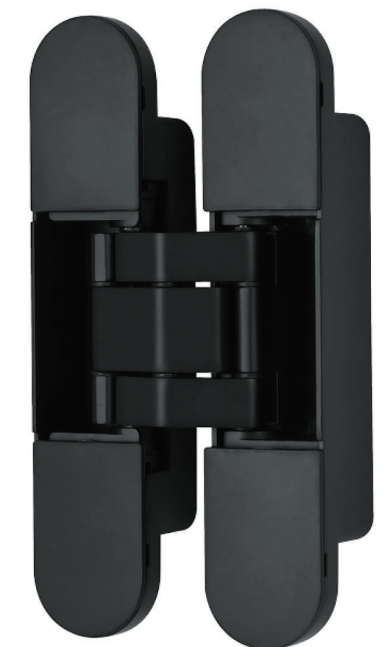
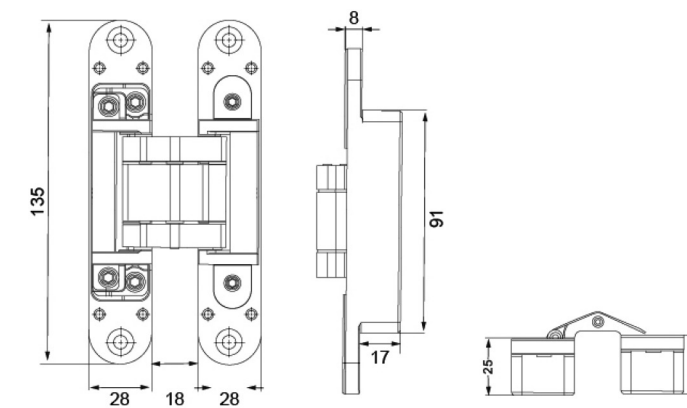


MODEL:BM-JY009

3D ADJUSTABLE CONCEALED HINGE

PRODUCT PARAMETERS

Material: Zinc alloy
 Bear the weight: 60kg/2pcs
 Product size: 135x28mm
 Suitable door thickness: ≥ 36 mm



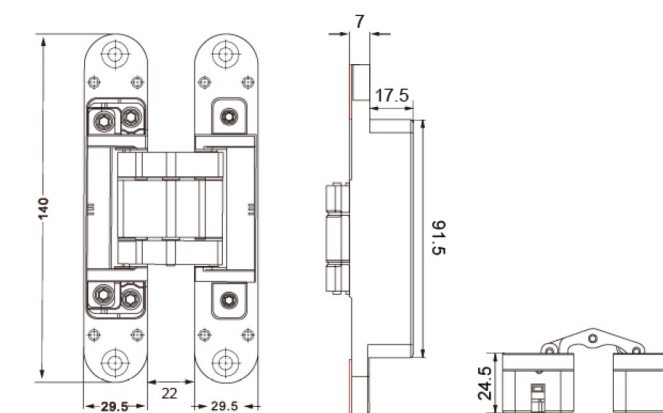


3D ADJUSTABLE CONCEALED HINGE

MODEL:BM-JY010
3D ADJUSTABLE CONCEALED HINGE

PRODUCT PARAMETERS

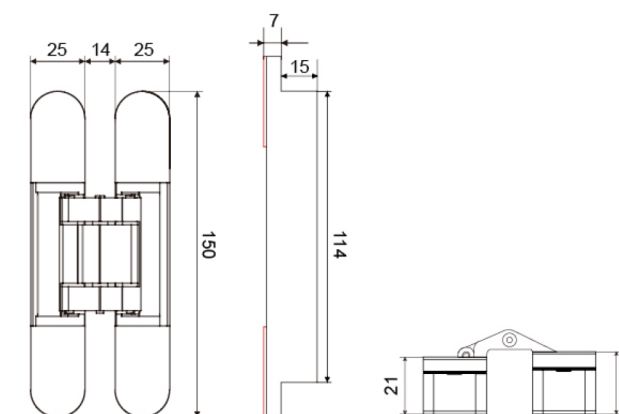
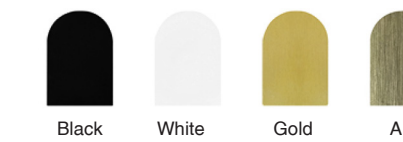
Material: Zinc alloy
Bear the weight: 60kg/2pcs
Product size: 140x29.5mm
Suitable door thickness: ≥ 40 mm



MODEL:BM-JY011
3D ADJUSTABLE CONCEALED HINGE

PRODUCT PARAMETERS

Material: Zinc alloy
Bear the weight: 60kg/2pcs
Product size: 135x28mm
Suitable door thickness: ≥ 36 mm



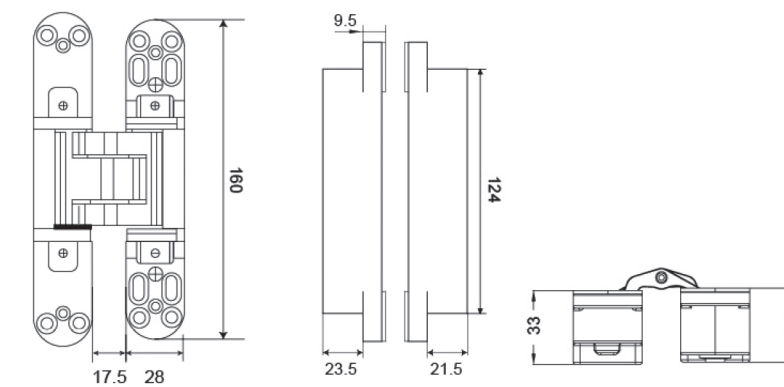


3D ADJUSTABLE CONCEALED HINGE

MODEL:BM-JY012 3D ADJUSTABLE CONCEALED HINGE

PRODUCT PARAMETERS

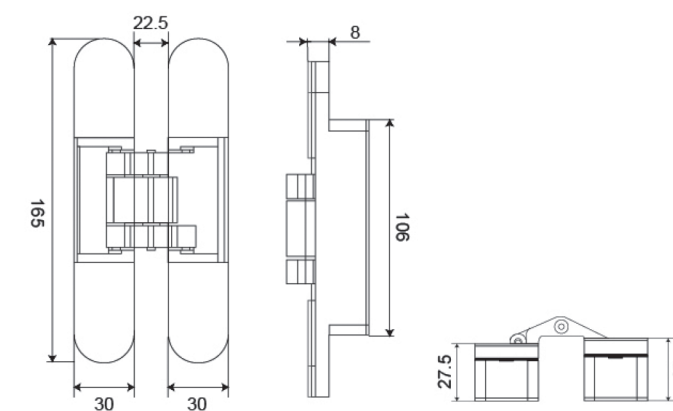
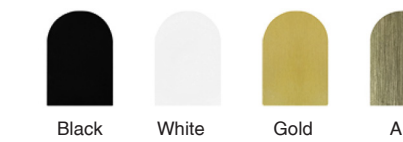
Material: Zinc alloy
 Bear the weight: 80kg/2pcs
 Product size: 160x28mm
 Suitable door thickness: ≥ 38 mm



MODEL:BM-JY013 3D ADJUSTABLE CONCEALED HINGE

PRODUCT PARAMETERS

Material: Zinc alloy
 Bear the weight: 80kg/2pcs
 Product size: 165x30mm
 Suitable door thickness: ≥ 40 mm



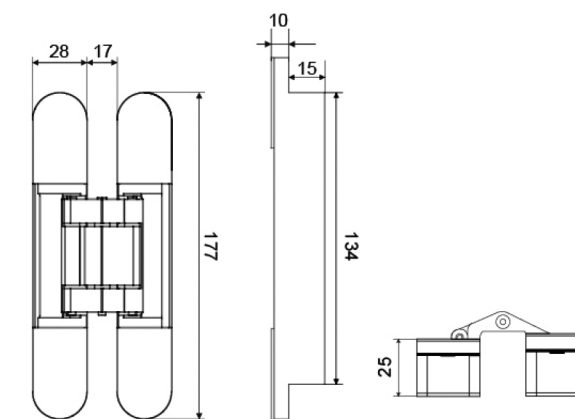


3D ADJUSTABLE CONCEALED HINGE

MODEL:BM-JY012
3D ADJUSTABLE CONCEALED HINGE

PRODUCT PARAMETERS

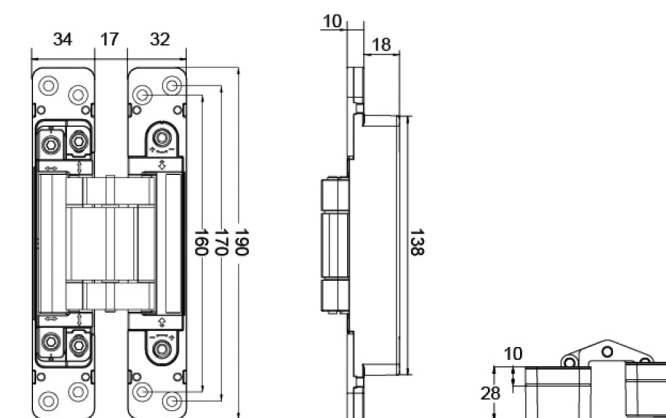
Material: Zinc alloy
Bear the weight: 80kg/2pcs
Product size: 160x28mm
Suitable door thickness: ≥ 38 mm



MODEL:BM-JY013
3D ADJUSTABLE CONCEALED HINGE

PRODUCT PARAMETERS

Material: Zinc alloy
Bear the weight: 80kg/2pcs
Product size: 165x30mm
Suitable door thickness: ≥ 40 mm



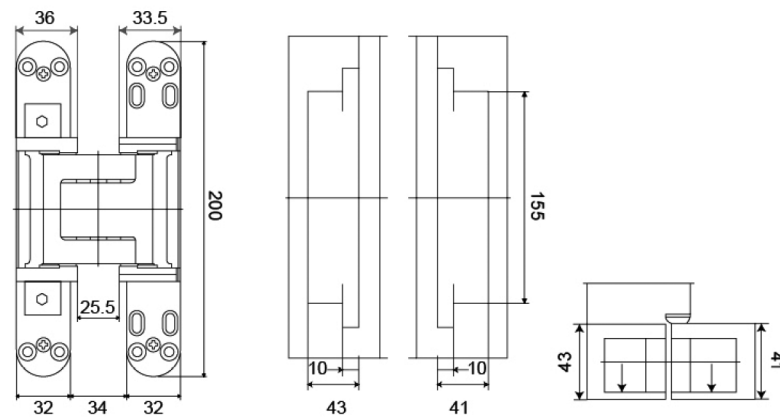
3D ADJUSTABLE CONCEALED HINGE

MODEL:BM-JY016

3D ADJUSTABLE CONCEALED HINGE

PRODUCT PARAMETERS

Material: Zinc alloy, Aluminum
 Bear the weight: 100kg/2pcs
 Product size: 200x32mm
 Suitable door thickness: ≥ 45 mm

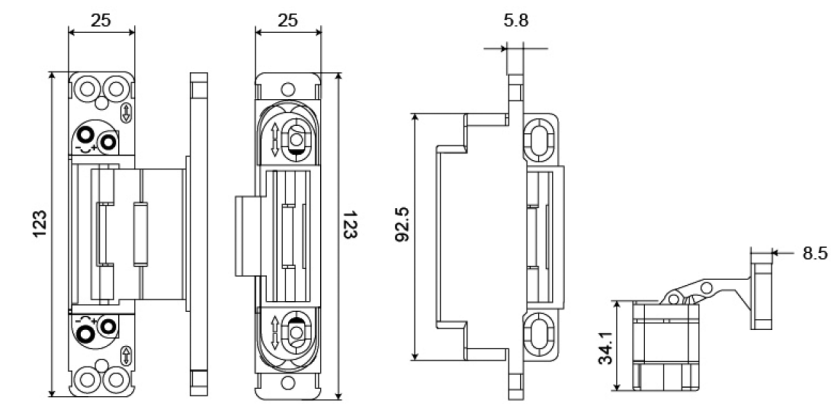


MODEL:BM-JY018

3D ADJUSTABLE CONCEALED HINGE

PRODUCT PARAMETERS

Material: Zinc alloy, Stainless steels
 Bear the weight: 60kg/2pcs
 Product size: 123x25mm
 Suitable door thickness: ≥ 34 mm

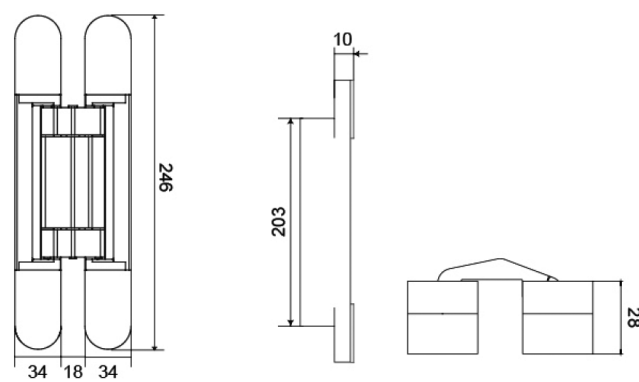


MODEL:BM-JY017

3D ADJUSTABLE CONCEALED HINGE

PRODUCT PARAMETERS

Material: Zinc alloy, Aluminum
 Bear the weight: 120kg/2pcs
 Product size: 246x34mm
 Suitable door thickness: ≥ 45 mm

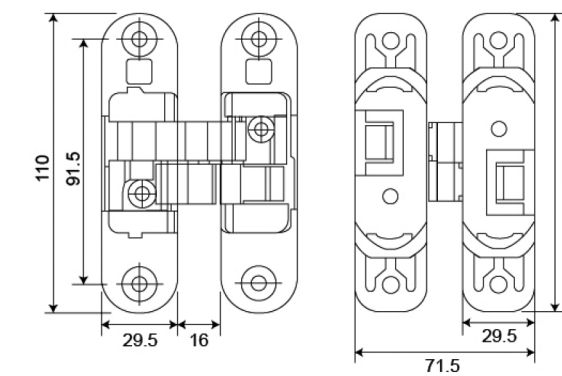


MODEL:BM-JY019

3D ADJUSTABLE CONCEALED HINGE

PRODUCT PARAMETERS

Material: Zinc alloy
 Bear the weight: 20kg/2pcs
 Product size: 110x29.5mm
 Suitable door thickness: ≥ 40 mm



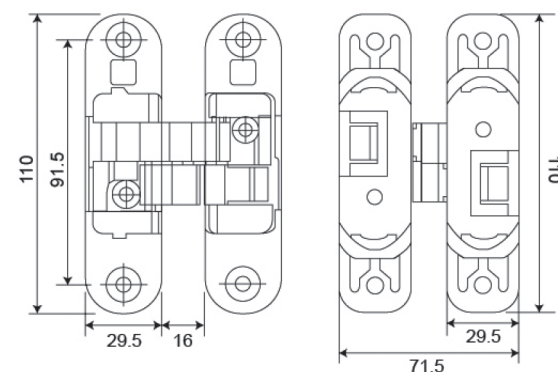
3D ADJUSTABLE PRECISION CASTING SERIES

MODEL:BM-JY020

3D ADJUSTABLE CONCEALED HINGE

PRODUCT PARAMETERS

Material: Zinc alloy
 Bear the weight: 20kg/2pcs
 Product size: 110x29.5mm
 Suitable door thickness: ≥ 40 mm



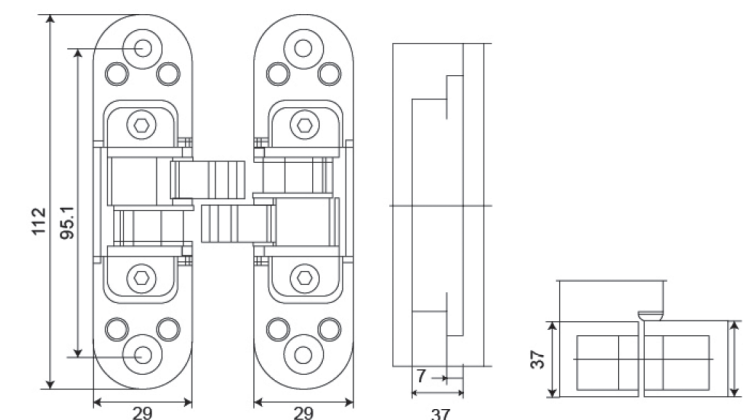
L (Left Hinge)

MODEL:BM-JY022

3D ADJUSTABLE PRECISION CASTING SERIES

PRODUCT PARAMETERS

Material: 304Stainless steels
 Bear the weight: 80kg/2pcs
 Product size: 112x29mm
 Suitable door thickness: ≥ 40 mm

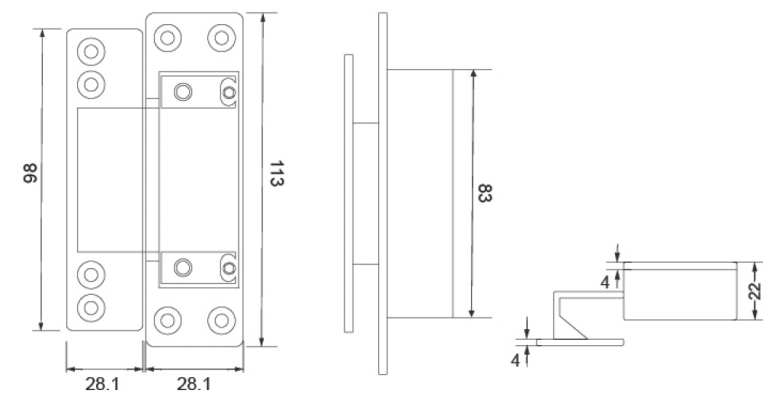


MODEL:BM-JY021

2D ADJUSTABLE CONCEALED HINGE

PRODUCT PARAMETERS

Material: Zinc alloy
 Bear the weight: 40kg/2pcs
 Product size: 113x28.1mm
 Suitable door thickness: ≥ 38 mm

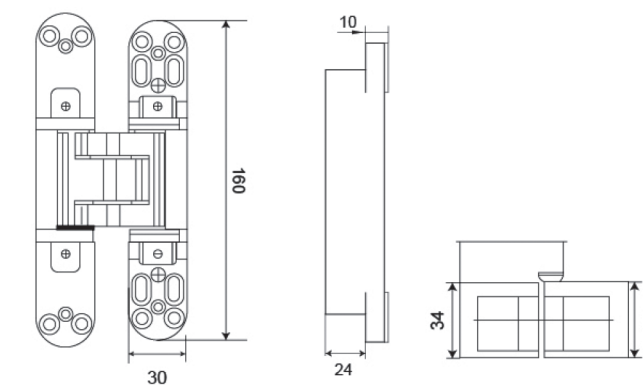


MODEL:BM-JY023

3D ADJUSTABLE PRECISION CASTING

PRODUCT PARAMETERS

Material: 304Stainless steels
 Bear the weight: 100kg/2pcs
 Product size: 160x30mm
 Suitable door thickness: ≥ 40 mm





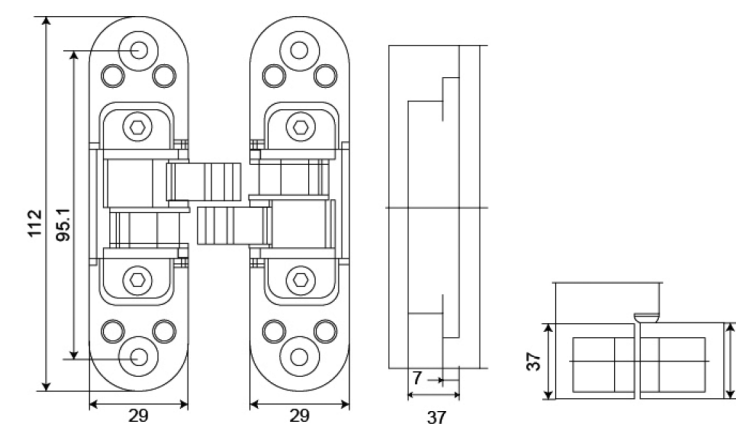
3D ADJUSTABLE PRECISION CASTING SERIES

MODEL:BM-JY024

3D ADJUSTABLE PRECISION CASTING

PRODUCT PARAMETERS

Material: 304 Stainless steels
 Bear the weight: 200kg/2pcs
 Product size: 200x50mm
 Suitable door thickness: ≥ 60 mm

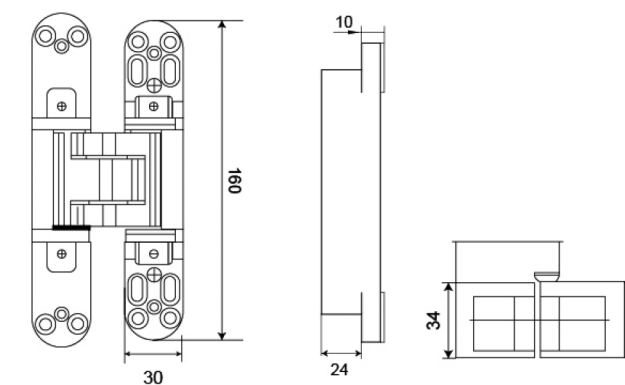


MODEL:BM-JY025

3D ADJUSTABLE PRECISION CASTING

PRODUCT PARAMETERS

Material: 304 Stainless steels
 Bear the weight: 200kg/2pcs
 Product size: 240x32mm
 Suitable door thickness: ≥ 45 mm

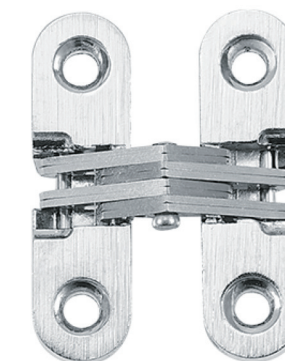
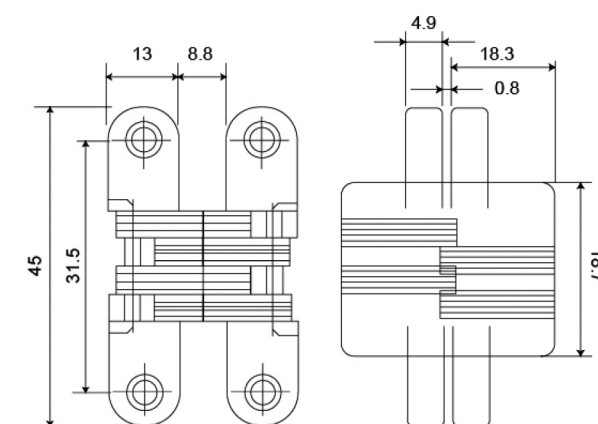


CROSS DARK HINGE SERIES

MODEL:BM-JY026 CROSS DARK HINGE

PRODUCT PARAMETERS

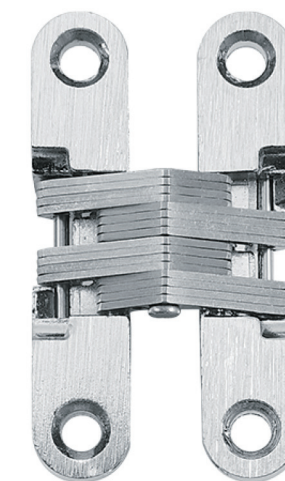
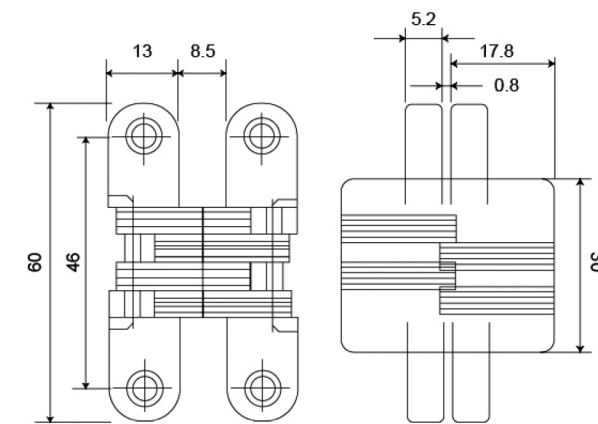
Material: Zinc alloy
 Bear the weight: 5kg
 Product size: 45x13mm
 Suitable door thickness: ≥ 18 mm



MODEL:BM-JY027 CROSS DARK HINGE

PRODUCT PARAMETERS

Material: Zinc alloy
 Bear the weight: 10kg
 Product size: 60x13mm
 Suitable door thickness: ≥ 18 mm

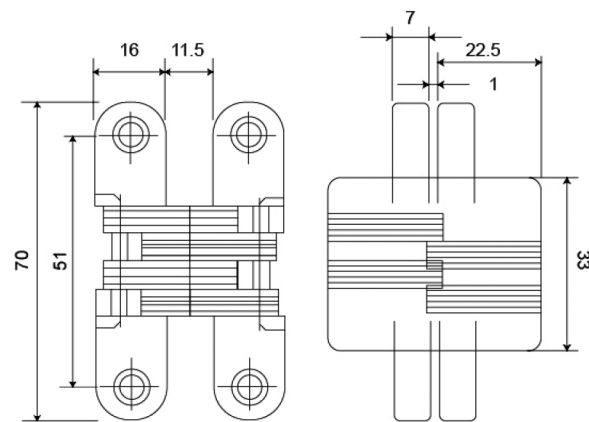


CROSS DARK HINGE SERIES

MODEL:BM-JY028 CROSS DARK HINGE

PRODUCT PARAMETERS

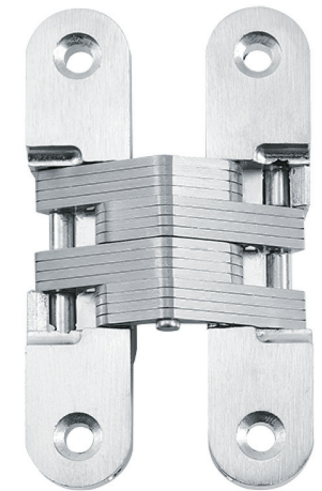
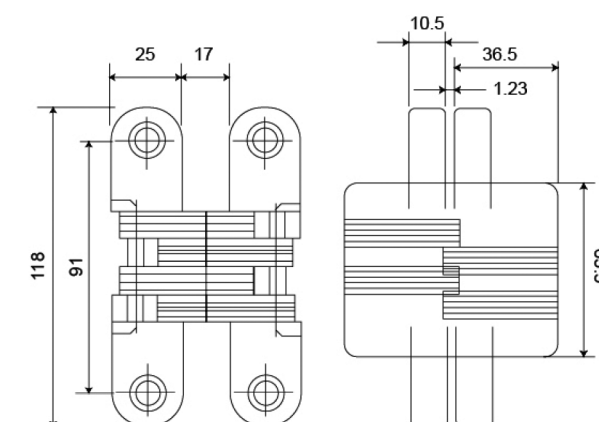
Material: Zinc alloy
 Bear the weight: 15kg
 Product size: 70x16mm
 Suitable door thickness: ≥ 25 mm



MODEL:BM-JY030 CROSS DARK HINGE

PRODUCT PARAMETERS

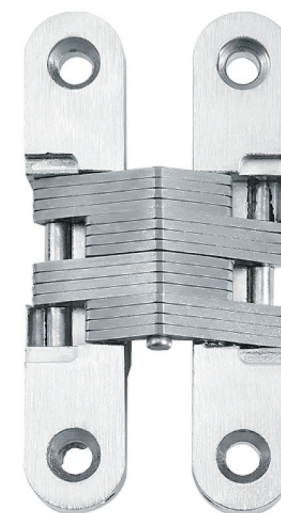
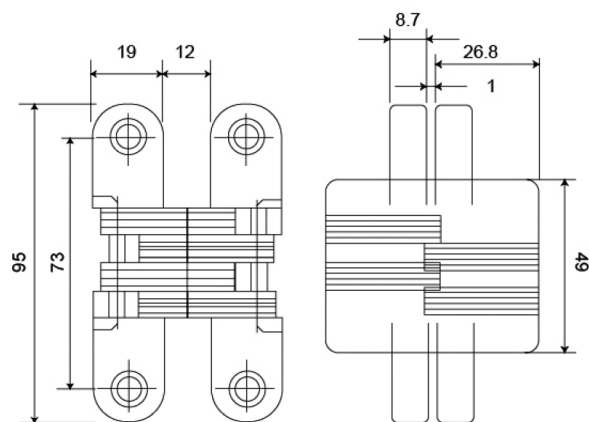
Material: Zinc alloy
 Bear the weight: 30kg
 Product size: 118x25mm
 Suitable door thickness: ≥ 35 mm



MODEL:BM-JY029 CROSS DARK HINGE

PRODUCT PARAMETERS

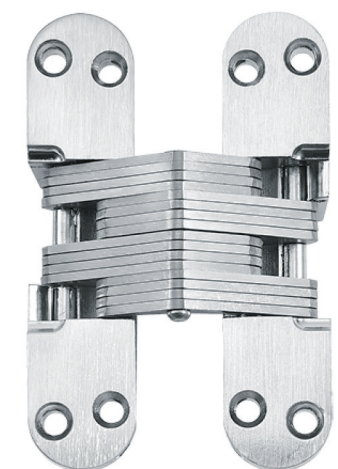
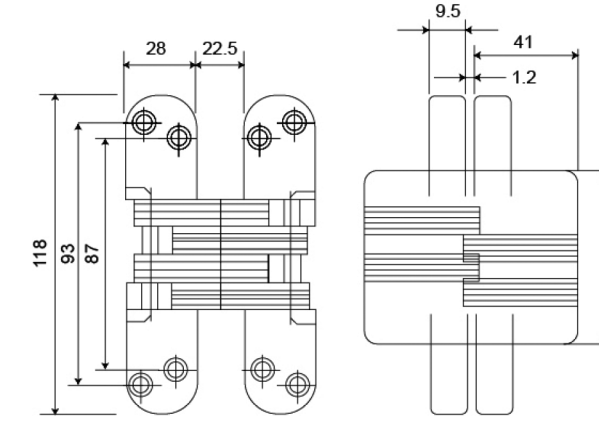
Material: Zinc alloy
 Bear the weight: 25kg
 Product size: 95x19mm
 Suitable door thickness: ≥ 25 mm



MODEL:BM-JY031 CROSS DARK HINGE

PRODUCT PARAMETERS

Material: Zinc alloy
 Bear the weight: 40kg
 Product size: 118x28mm
 Suitable door thickness: ≥ 40 mm



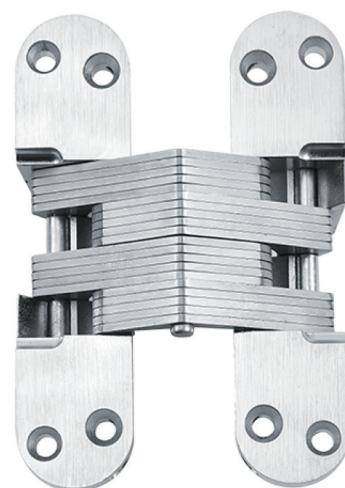
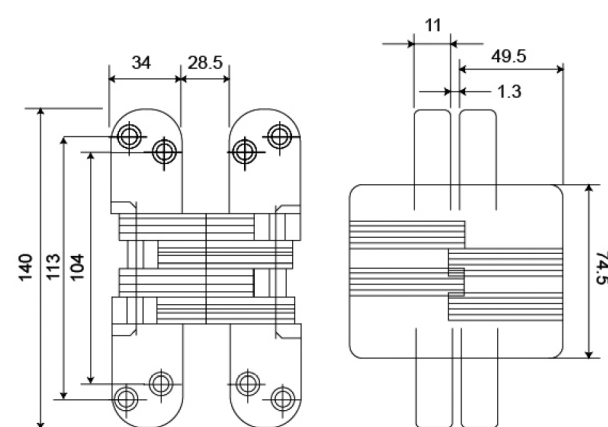
CROSS DARK HINGE SERIES

MODEL:BM-JY032

CROSS DARK HINGE

PRODUCT PARAMETERS

Material: Zinc alloy
 Bear the weight: 50kg
 Product size: 140x34mm
 Suitable door thickness: ≥ 45 mm

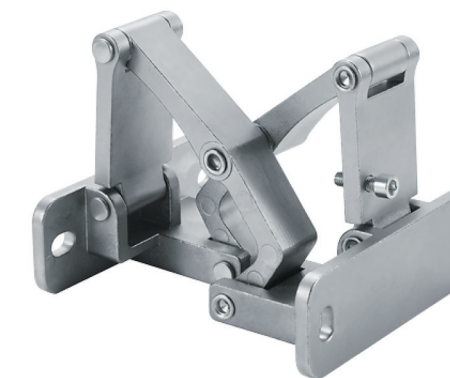
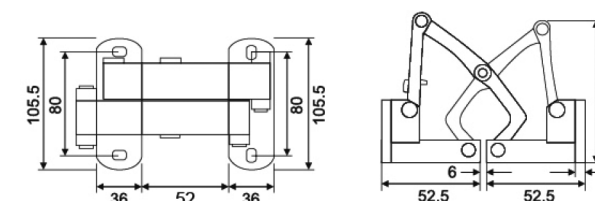


MODEL:BM-JY034

CONCEALED HINGES FOR STONE DOORS (ADJUSTABLE)

PRODUCT PARAMETERS

Material: 201 stainless steel
 Bear the weight: 150kg
 Fitted doorwidth: ≤ 940 mm
 Fitted doorwidth: ≤ 20 mm
 Scope of application: tube well door
 Surfacetreatment:Stainless steeloriginal color

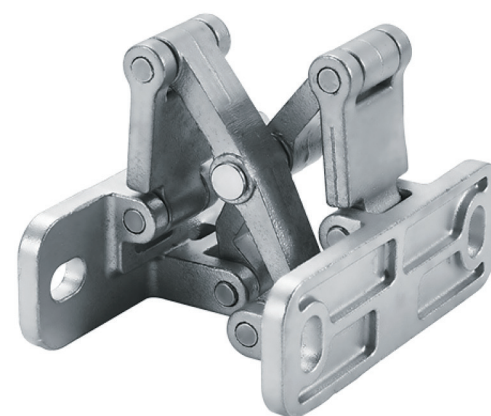
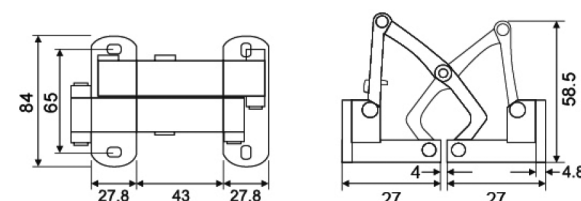


MODEL:BM-JY033

CONCEALED HINGES FOR STONE DOORS (ADJUSTABLE)

PRODUCT PARAMETERS

Material: 201 stainless steel
 Bear the weight: 50kg
 Fitted doorwidth: ≤ 940 mm
 Fitted doorwidth: ≤ 20 mm
 Scope of application: tube well door
 Surface treatment: Stainless steel original color



MODEL:BM-JY035

CONCEALED HINGES FOR STONE DOORS (ADJUSTABLE)

PRODUCT PARAMETERS

Material: 201 stainless steel
 Bear the weight: 200kg
 Fitted doorwidth: ≤ 940 mm
 Fitted doorwidth: ≤ 35 mm
 Scope of application: tube well door
 Surfacetreatment: Stainless steeloriginal color

